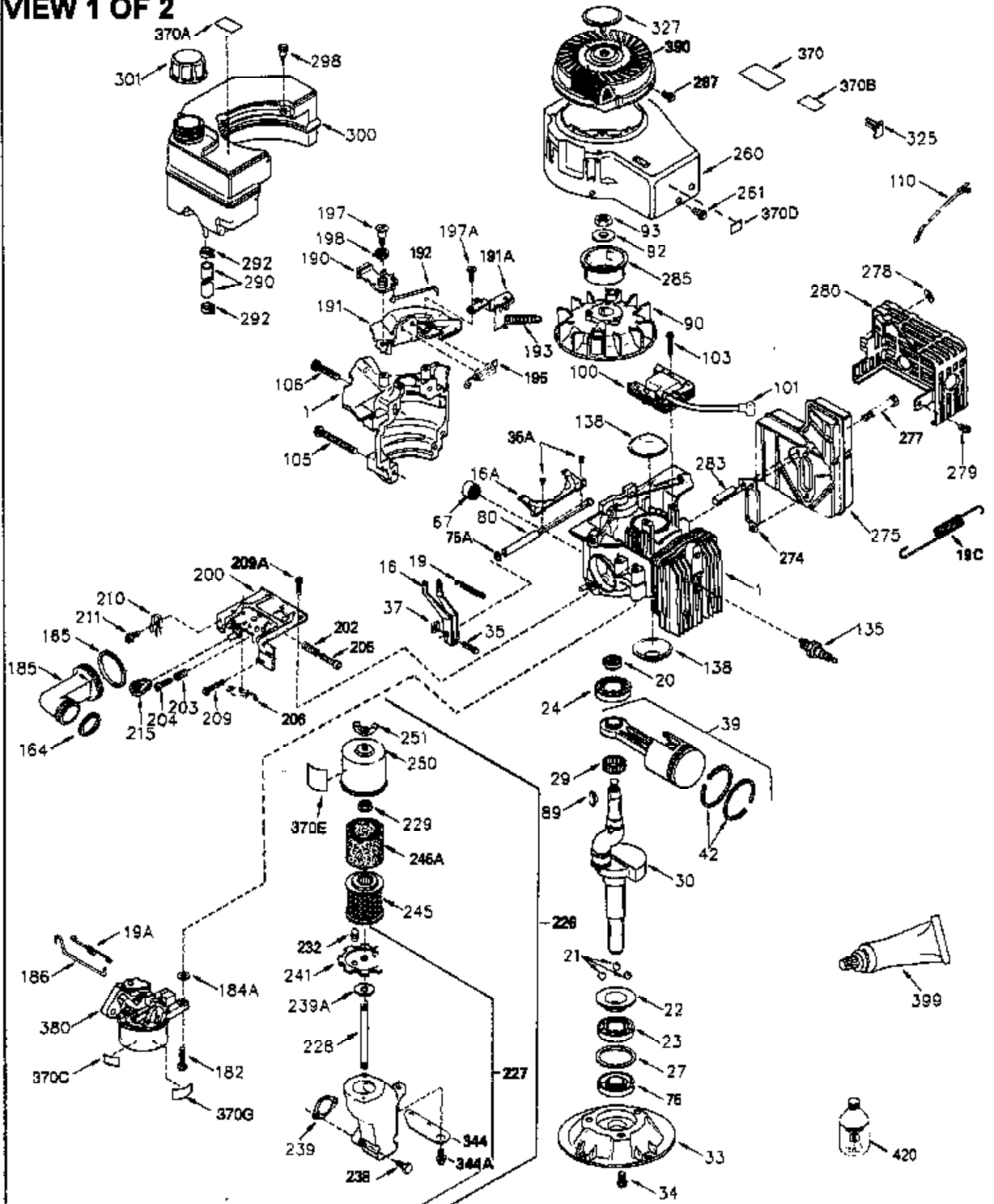


ILLUSTRATION SHOWS TYPICAL PARTS ONLY. ORDER BY PART NUMBER. PARTS NOT LISTED ARE SUPPLIED BY OEM.

VIEW 1 OF 2

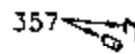
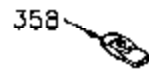
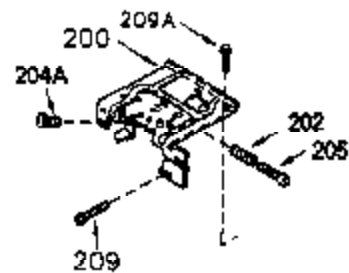
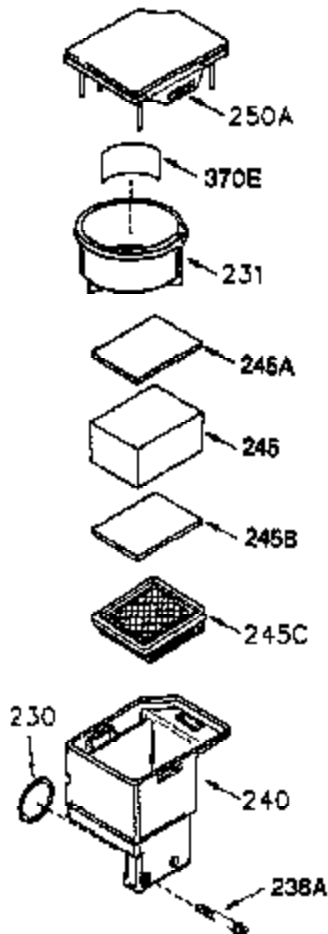
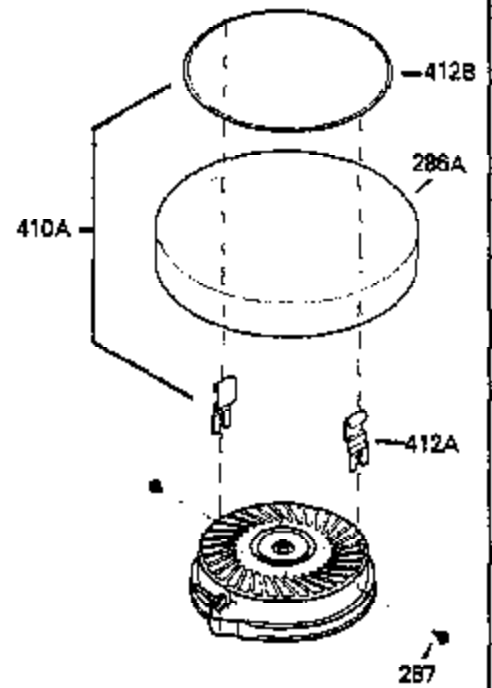
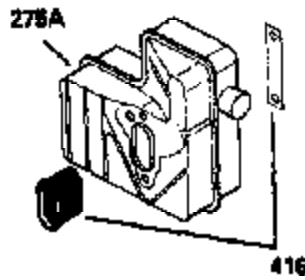
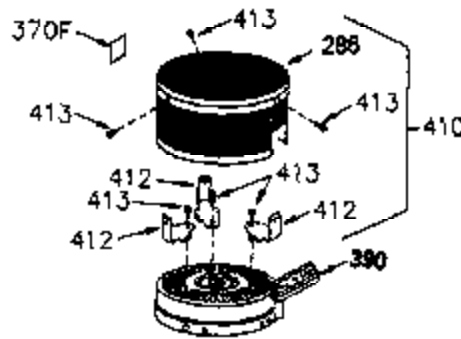
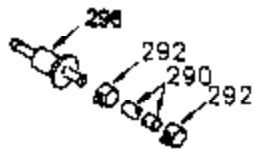
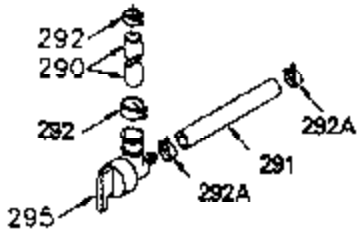


Ref #	Part Number	Qty	Description
	1 250288		Cylinder (Incl. 67A, 75, 105, 106 & 1 38)
16A	490304		Governor Lever
16	490306		Governor Lever
19	490308		Extension Spring
19A	490307		Throttle Link Spring
20	510340		Oil Seal
21	570673		Ball Bearing
22	510338		Slide Ring
23	530158		Ball Bearing
24	530161		Ball Bearing
27	530159		Bearing Retainer
29	530164		Bearing Strip (31 needles) (.495" lon g)
30	290599A		Crankshaft (Incl. 29)
33	330179		Adapter Plate
34	792067		Screw, 5/16-18 x 1"
35A	650506		Screw, 4-40 x 3/16"
35	29826		Screw, 10-32 x 3/4"
37	29216		Lock Nut, 10-32
39	310277B		Piston & Rod Ass'y. (Incl. 29 & 42)
42	310278		Ring Set
67A	430234		Fuel Filter (Screen) (Optional)
67	430233		Fuel Filter (Screen w/brass collar)
75	510339		Oil Seal (P.T.O. end)
75A	510337		Oil Seal
80	490305		Governor Shaft
89	611107		Flywheel Key
90	611109		Flywheel (Counterbalance)
92	650815		Belleville Washer
93	650816		Flywheel Nut
100	34443A		Solid State Ignition
101	610118		Spark Plug Cover
103	650814		Screw, Torx T-15, 10-24 x 1"
105	650892		Screw, 5/16-18 x 2-3/16"
106	650891		Screw, 5/16-18 x 1-5/8"
110	611110		Ground Wire
135	35395		Spark Plug (RJ19LM)
138	570683		Port Cover
164	510341		"O" Ring
165	510342		"O" Ring
182	792067		Screw, 5/16-18 x 1"
184A	27110		Washer
185	570674		Intake Pipe & Reed Ass'y. (Incl. 164 & 165)
186	490309		Governor Link
190	570688		Brake Lever
191A	570686A		Brake Control Lever
191	570679		S.E. Brake Bracket
192	490312		Brake Control Link
193	490311		Brake Spring
195	610973		Terminal
197	650896		Screw, 1/4-20 x 13/16"
197A	650897		Screw, 1/4-20 x 13/32"
198	490313		Brake Control Lever Spring
200	570675A		Control Bracket (Incl.202,203,204,205 ,206)
202	32924		Compression Spring
203	31342		Compression Spring
204	650549		Screw, 5-40 x 7/16"
205	650606		Screw, 10-32 x 1-1/8"
209	650735		Screw, 10-24 x 3/8"

Ref #	Part Number	Qty	Description
210	27793		Conduit Clip
211	650837		Screw, 10-32 x 1/4"
226	730575A		Air Cleaner Kit (Incl. 227, 229, 238, 239, 245, 245A, 250, 251 & 370B)
227	450249A		Air Cleaner Elbow Ass'y. (Incl. 228, 232, 238, 239A, 241, 344 & 344A)
238	650834		Screw, 10-32 x 1-17/32"
245	450244		Air Cleaner Filter
245A	450243		Air Cleaner Filter
260	350429		Blower Housing
261	650894		Screw, 5/16-18 x 5/8"
274	510343A		Exhaust Gasket
277	650893		Screw, 5/16-18 x 3-13/64"
278	28537		Washer
279	650837		Screw, 10-32 x 1/4"
280	390307A		Heat Shield
283	390315		E.G.R. Tube
285	34449		Starter Cup
287	650926		Screw, 8-32 x 21/64"
290	29774		Fuel Line
292	26460		Fuel Line Clamp
298	650895		Screw, 10-32 x 5/8"
300	410258		Fuel Tank
301	410259A		Fuel Cap
325	29443		Wire Clip
327	35392		Starter Plug
370	550230A		Fuel Mix Decal
370D	34144		Primer Decal
370C	550234		Bowl Nut Decal
370A	34686		Name Decal
380	632434		Carburetor (Incl. 164) (Refer to Division 5, Section A, page A6-2 or Fiche 25, Grid F-1 for breakdown)
390	590621		Rewind Starter (Refer to Division 5, Section C, page 34 or Fiche 25, Grid G-1 for breakdown)
399	510334		Gasket Eliminator (Loctite 515)
420	730227A		2-Cycle Oil (8 oz.)

ILLUSTRATION SHOWS TYPICAL PARTS ONLY. ORDER BY PART NUMBER. PARTS NOT LISTED ARE SUPPLIED BY OEM.

VIEW 2 OF 2



Ref #	Part Number	Qty	Description
67A	430234		Fuel Filter (Screen) (Optional)
200	570675A		Control Bracket (Incl.202,203,204,205 ,206)
202	32924		Compression Spring
205	650606		Screw, 10-32 x 1-1/8"
209	650735		Screw, 10-24 x 3/8"
230	510344		"O" Ring
231	450245		Measuring Cup
240	450242		Air Cleaner Body
245A	450243		Air Cleaner Filter
245C	450247		Air Cleaner Filter
245	450244		Air Cleaner Filter
250A	450246		Air Cleaner Cover
275A	390316		Muffler (Discharge toward spark plugend) (w/glass fiber packing)
287	650926		Screw, 8-32 x 21/64"
290	29774		Fuel Line
292	26460		Fuel Line Clamp
296	34279B		Fuel Filter
390	590621		Rewind Starter (Refer to Division 5, Section C, page 34 or Fiche 25, Grid G-1 for breakdown)
416	390309		Spark Arrestor Kit (Can be used on an y model)