

ILLUSTRATION SHOWS TYPICAL PARTS ONLY. ORDER BY PART NUMBER. PARTS NOT LISTED ARE SUPPLIED BY OEM.

VIEW 1 OF 2

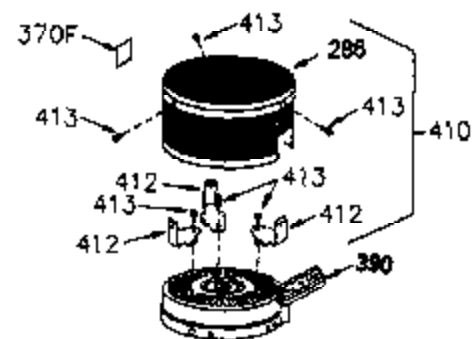


| Ref # | Part Number | Qty | Description |
|-------|-------------|-----|--|
| | 1 250288 | | Cylinder (Incl. 67A, 75, 105, 106 & 1 38) |
| | 16 490306 | | Governor Lever |
| | 16A 490304 | | Governor Lever |
| | 19A 490307 | | Throttle Link Spring |
| | 19 490308 | | Extension Spring |
| | 20 510340 | | Oil Seal |
| | 21 570673 | | Ball Bearing |
| | 22 510338 | | Slide Ring |
| | 23 530158 | | Ball Bearing |
| | 24 530161 | | Ball Bearing |
| | 27 530159 | | Bearing Retainer |
| | 29 530164 | | Bearing Strip (31 needles) (.495" lon g) |
| | 30 290599A | | Crankshaft (Incl. 29) |
| | 33 330179 | | Adapter Plate |
| | 34 792067 | | Screw, 5/16-18 x 1" |
| | 35A 650506 | | Screw, 4-40 x 3/16" |
| | 35 29826 | | Screw, 10-32 x 3/4" |
| | 37 29216 | | Lock Nut, 10-32 |
| | 39 310277B | | Piston & Rod Ass'y. (Incl. 29 & 42) |
| | 42 310278 | | Ring Set |
| | 67A 430234 | | Fuel Filter (Screen) (Optional) |
| | 67 430233 | | Fuel Filter (Screen w/brass collar) |
| | 75A 510337 | | Oil Seal |
| | 75 510339 | | Oil Seal (P.T.O. end) |
| | 80 490305 | | Governor Shaft |
| | 89 611107 | | Flywheel Key |
| | 90 611144 | | Flywheel |
| | 92 650815 | | Belleville Washer |
| | 93 650816 | | Flywheel Nut |
| | 100 34443A | | Solid State Ignition |
| | 101 610118 | | Spark Plug Cover |
| | 103 650814 | | Screw, Torx T-15, 10-24 x 1" |
| | 105 650892 | | Screw, 5/16-18 x 2-3/16" |
| | 106 650891 | | Screw, 5/16-18 x 1-5/8" |
| | 110 611106 | | Ground Wire |
| | 135 35395 | | Spark Plug (RJ19LM) |
| | 138 570683 | | Port Cover |
| | 164 510341 | | "O" Ring |
| | 165 510342 | | "O" Ring |
| | 182 792067 | | Screw, 5/16-18 x 1" |
| | 184A 27110 | | Washer |
| | 185 570674 | | Intake Pipe & Reed Ass'y. (Incl. 164 & 165) |
| | 186 490309 | | Governor Link |
| | 200 570675A | | Control Bracket (Incl.202,203,204,205 ,206) |
| | 202 32924 | | Compression Spring |
| | 203 31342 | | Compression Spring |
| | 204 650549 | | Screw, 5-40 x 7/16" |
| | 205 650606 | | Screw, 10-32 x 1-1/8" |
| | 206 610973 | | Terminal |
| | 209 650735 | | Screw, 10-24 x 3/8" |
| | 210 27793 | | Conduit Clip |
| | 211 650837 | | Screw, 10-32 x 1/4" |
| | 226 730575A | | Air Cleaner Kit (Incl. 227, 229, 238, 239, 245, 245A, 250, 251 & 370B) |
| | 227 450249A | | Air Cleaner Elbow Ass'y. (Incl. 228, 232, 238, 239A, 241, 344 & 344A) |
| | 228 650901 | | Stud, 1/4-20 x 4.89 (threaded both en ds) |

| Ref # | Part Number | Qty | Description |
|-------|-------------|-----|--|
| 229 | 650825 | | Nut & Lock Washer, 1/4-20 |
| 232 | | | Pop Rivet (Can be purchased locally) |
| 239 | 35815 | | Air Cleaner Gasket |
| 239A | 34698A | | Air Cleaner Gasket |
| 241 | 34699 | | Air Cleaner Bracket |
| 245A | 34783 | | Air Cleaner Filter |
| 245 | 34782 | | Air Cleaner Filter (Incl. 229) |
| 250 | 34781 | | Air Cleaner Cover |
| 251 | 650513 | | Wing Nut, 1/4-20 |
| 260 | 350430 | | Blower Housing |
| 261 | 650894 | | Screw, 5/16-18 x 5/8" |
| 274 | 510343A | | Exhaust Gasket |
| 277 | 650893 | | Screw, 5/16-18 x 3-13/64" |
| 278 | 28537 | | Washer |
| 279 | 650837 | | Screw, 10-32 x 1/4" |
| 280 | 390307A | | Heat Shield |
| 283 | 390315 | | E.G.R. Tube |
| 285 | 34449 | | Starter Cup |
| 287 | 650926 | | Screw, 8-32 x 21/64" |
| 290 | 29774 | | Fuel Line |
| 292 | 26460 | | Fuel Line Clamp |
| 298 | 650895 | | Screw, 10-32 x 5/8" |
| 300 | 410258 | | Fuel Tank |
| 301 | 410259A | | Fuel Cap |
| 327 | 35392 | | Starter Plug |
| 370C | 550234 | | Bowl Nut Decal |
| 370A | 34686 | | Name Decal |
| 370 | 550230A | | Fuel Mix Decal |
| 370B | 34704 | | Instruction Decal |
| 380 | 632434 | | Carburetor (Incl. 164) (Refer to Division 5, Section A, page A6-2 or Fiche 25, Grid F-1 for breakdown) |
| 390 | 590635 | | Rewind Starter (Refer to Division 5, Section C, page 34 or Fiche 25, Grid G-1 for breakdown) |
| 399 | 510334 | | Gasket Eliminator (Loctite 515) |
| 420 | 730227A | | 2-Cycle Oil (8 oz.) |

ILLUSTRATION SHOWS TYPICAL PARTS ONLY. ORDER BY PART NUMBER. PARTS NOT LISTED ARE SUPPLIED BY OEM.

VIEW 2 OF 2



| Ref # | Part Number | Qty | Description |
|-------|-------------|-----|--|
| 67A | 430234 | | Fuel Filter (Screen) (Optional) |
| 200 | 570675A | | Control Bracket (Incl.202,203,204,205 ,206) |
| 202 | 32924 | | Compression Spring |
| 205 | 650606 | | Screw, 10-32 x 1-1/8" |
| 209 | 650735 | | Screw, 10-24 x 3/8" |
| 238A | 650940 | | Screw, 10-32 x 3/4" |
| 245A | 34783 | | Air Cleaner Filter |
| 245 | 34782 | | Air Cleaner Filter (Incl. 229) |
| 275A | 390316 | | Muffler (Discharge toward spark plugend) (w/glass fiber packing) |
| 287 | 650926 | | Screw, 8-32 x 21/64" |
| 290 | 29774 | | Fuel Line |
| 292 | 26460 | | Fuel Line Clamp |
| 296 | 34279B | | Fuel Filter |
| 390 | 590635 | | Rewind Starter (Refer to Division 5, Section C, page 34 or Fiche 25, Grid G-1 for breakdown) |
| 416 | 390309 | | Spark Arrestor Kit (Can be used on an y model) |