

ILLUSTRATION SHOWS TYPICAL PARTS ONLY. ORDER BY PART NUMBER. PARTS NOT LISTED ARE SUPPLIED BY OEM.

# VIEW 1 OF 2

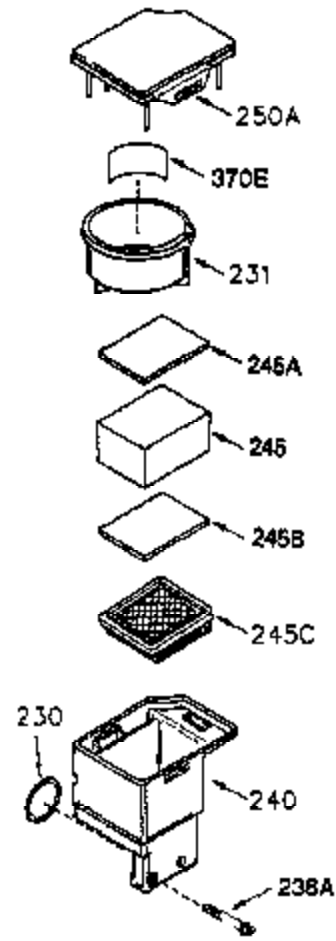
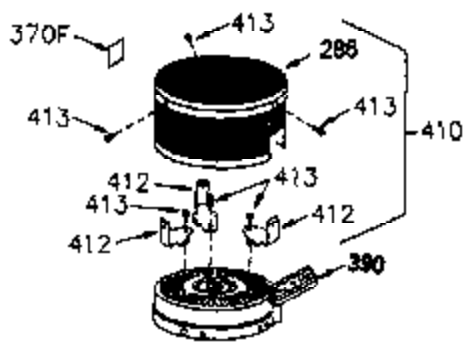


Ref #	Part Number	Qty	Description
	1		250288 Cylinder (Incl. 67A, 75, 105, 106 & 1 38)
	16		490306 Governor Lever
	16A		490304 Governor Lever
	19C		570697 Heat Shield Spring
	19		490308 Extension Spring
	19A		490307 Throttle Link Spring
	20		510340 Oil Seal
	21		570673 Ball Bearing
	22		510338 Slide Ring
	23		530158 Ball Bearing
	24		530161 Ball Bearing
	27		530159 Bearing Retainer
	29		530164 Bearing Strip (31 needles) (.495" lon g)
	30		290573B Crankshaft (Incl. 29)
	33		330179 Adapter Plate
	34		792067 Screw, 5/16-18 x 1"
	35A		650506 Screw, 4-40 x 3/16"
	35		29826 Screw, 10-32 x 3/4"
	37		29216 Lock Nut, 10-32
	39		310277B Piston & Rod Ass'y. (Incl. 29 & 42)
	42		310278 Ring Set
	67A		430234 Fuel Filter (Screen) (Optional)
	67		430233 Fuel Filter (Screen w/brass collar)
	75A		510337 Oil Seal
	75		510339 Oil Seal (P.T.O. end)
	80		490305 Governor Shaft
	89		611107 Flywheel Key
	90		611109 Flywheel (Counterbalance)
	92		650815 Belleville Washer
	93		650816 Flywheel Nut
	100		34443A Solid State Ignition
	101		610118 Spark Plug Cover
	103		650814 Screw, Torx T-15, 10-24 x 1"
	105		650892 Screw, 5/16-18 x 2-3/16"
	106		650891 Screw, 5/16-18 x 1-5/8"
	110		611106 Ground Wire
	135		35395 Spark Plug (RJ19LM)
	138		570683 Port Cover
	164		510341 "O" Ring
	165		510342 "O" Ring
	182		792067 Screw, 5/16-18 x 1"
	184A		27110 Washer
	185		570674 Intake Pipe & Reed Ass'y. (Incl. 164 & 165)
	186		490309 Governor Link
	200		570675A Control Bracket (Incl.202,203,204,205 ,206)
	202		32924 Compression Spring
	203		31342 Compression Spring
	204		650549 Screw, 5-40 x 7/16"
	205		650606 Screw, 10-32 x 1-1/8"
	206		610973 Terminal
	209		650735 Screw, 10-24 x 3/8"
	210		27793 Conduit Clip
	211		650837 Screw, 10-32 x 1/4"
	226		730575A Air Cleaner Kit (Incl. 227, 229, 238, 239, 245, 245A, 250, 251 & 370B)
	227		450249A Air Cleaner Elbow Ass'y. (Incl. 228, 232, 238, 239A, 241, 344 & 344A)

Ref #	Part Number	Qty	Description
228	650901		Stud, 1/4-20 x 4.89 (threaded both ends)
229	650825		Nut & Lock Washer, 1/4-20
232			Pop Rivet (Can be purchased locally)
239	35815		Air Cleaner Gasket
239A	34698A		Air Cleaner Gasket
241	34699		Air Cleaner Bracket
245A	34783		Air Cleaner Filter
245	34782		Air Cleaner Filter (Incl. 229)
250	34781		Air Cleaner Cover
251	650513		Wing Nut, 1/4-20
260	350430		Blower Housing
261	650894		Screw, 5/16-18 x 5/8"
274	510343A		Exhaust Gasket
277	650893		Screw, 5/16-18 x 3-13/64"
278	28537		Washer
279	650837		Screw, 10-32 x 1/4"
280	390320		Heat Shield
283	390315		E.G.R. Tube
285	34449		Starter Cup
287	650926		Screw, 8-32 x 21/64"
290	29774		Fuel Line
292	26460		Fuel Line Clamp
298	650895		Screw, 10-32 x 5/8"
300	410258		Fuel Tank
301	410259A		Fuel Cap
327	35392		Starter Plug
370C	550234		Bowl Nut Decal
370B	34704		Instruction Decal
370	550230A		Fuel Mix Decal
370A	34686		Name Decal
380	632434		Carburetor (Incl. 164) (Refer to Division 5, Section A, page A6-2 or Fiche 25, Grid F-1 for breakdown)
390	590635		Rewind Starter (Refer to Division 5, Section C, page 34 or Fiche 25, Grid G-1 for breakdown)
399	510334		Gasket Eliminator (Loctite 515)
420	730227A		2-Cycle Oil (8 oz.)

ILLUSTRATION SHOWS TYPICAL PARTS ONLY. ORDER BY PART NUMBER. PARTS NOT LISTED ARE SUPPLIED BY OEM.

### VIEW 2 OF 2



Ref #	Part Number	Qty	Description
67A	430234		Fuel Filter (Screen) (Optional)
200	570675A		Control Bracket (Incl.202,203,204,205 ,206)
202	32924		Compression Spring
205	650606		Screw, 10-32 x 1-1/8"
209	650735		Screw, 10-24 x 3/8"
238A	650940		Screw, 10-32 x 3/4"
245A	34783		Air Cleaner Filter
245	34782		Air Cleaner Filter (Incl. 229)
275A	390323		Muffler (Discharge toward spark plugend) (w/glass fiber packing)
287	650926		Screw, 8-32 x 21/64"
290	29774		Fuel Line
292	26460		Fuel Line Clamp
296	34279B		Fuel Filter
390	590635		Rewind Starter (Refer to Division 5, Section C, page 34 or Fiche 25, Grid G-1 for breakdown)
416	390309		Spark Arrestor Kit (Can be used on an y model)