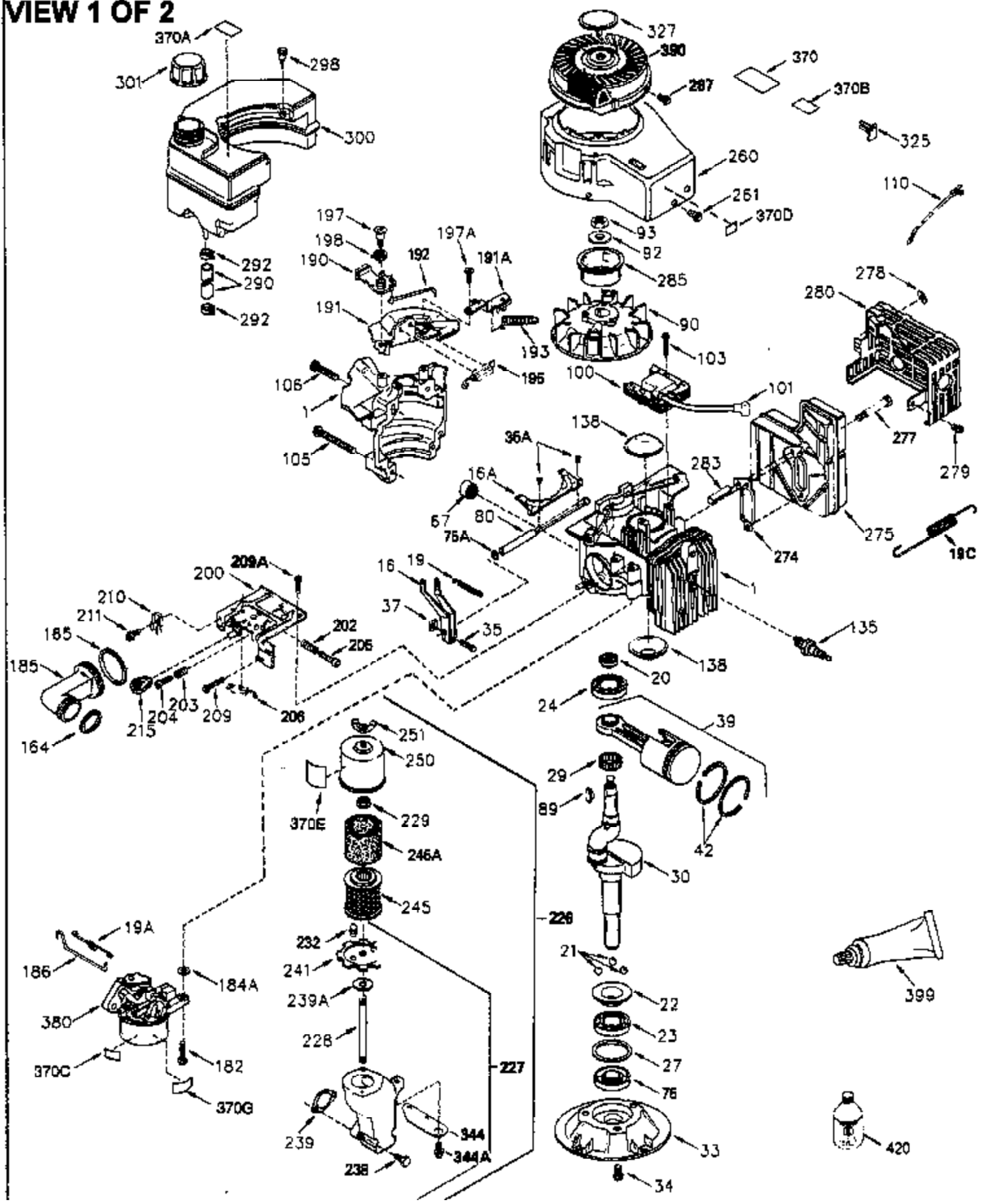


ILLUSTRATION SHOWS TYPICAL PARTS ONLY. ORDER BY PART NUMBER. PARTS NOT LISTED ARE SUPPLIED BY OEM.

### VIEW 1 OF 2

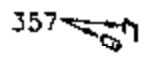
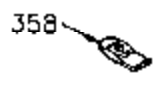
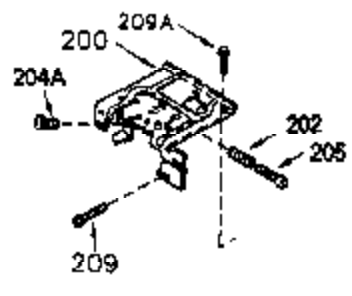
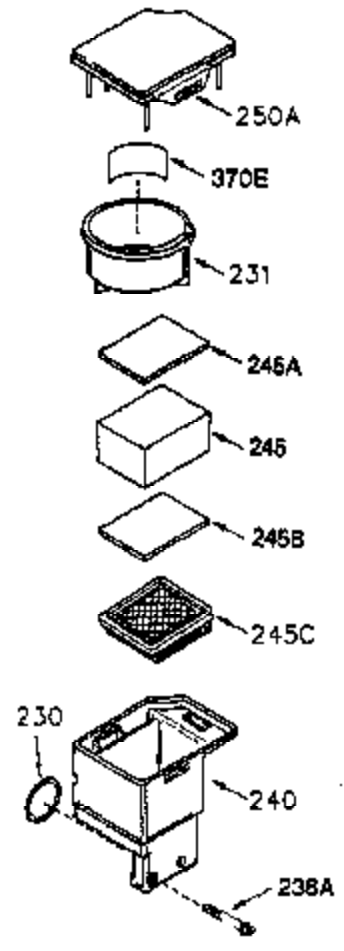
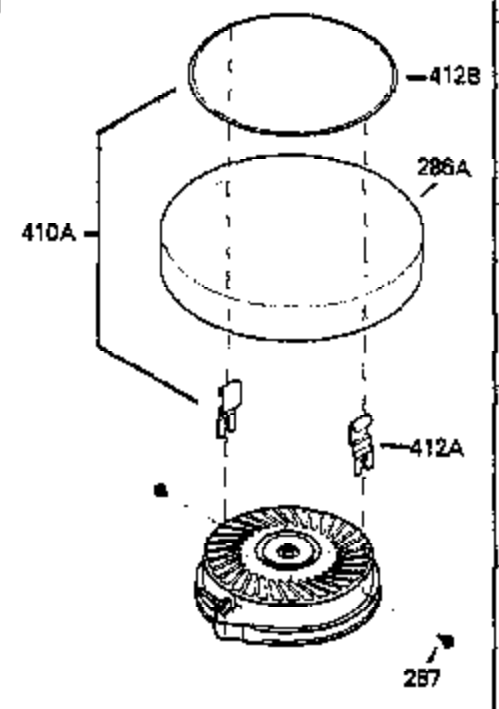
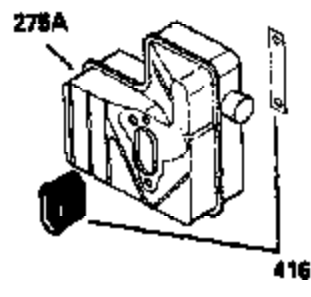
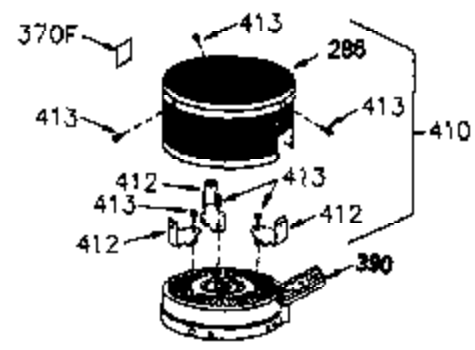
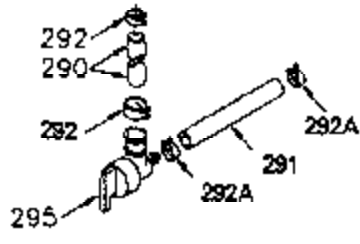


| Ref # | Part Number | Qty | Description  |
|-------|-------------|-----|--|
|       | 1 250288    |     | Cylinder (Incl. 67A, 75, 105, 106 & 1 38)                              |
|       | 16 490306   |     | Governor Lever   |
|       | 16A 490304  |     | Governor Lever   |
|       | 19 490308   |     | Extension Spring   |
|       | 19A 490307  |     | Throttle Link Spring   |
|       | 20 510340   |     | Oil Seal   |
|       | 21 570673   |     | Ball Bearing   |
|       | 22 510338   |     | Slide Ring   |
|       | 23 530158   |     | Ball Bearing   |
|       | 24 530161   |     | Ball Bearing   |
|       | 27 530159   |     | Bearing Retainer   |
|       | 29 530164   |     | Bearing Strip (31 needles) (.495" lon g)                               |
|       | 30 290629   |     | Crankshaft   |
|       | 33 330179   |     | Adapter Plate  |
|       | 34 792067   |     | Screw, 5/16-18 x 1"  |
|       | 35 29826    |     | Screw, 10-32 x 3/4"  |
|       | 35A 650961  |     | Screw, 4-40 x 1/4"   |
|       | 37 29216    |     | Lock Nut, 10-32  |
|       | 39 310277B  |     | Piston & Rod Ass'y. (Incl. 29 & 42)                                    |
|       | 42 310278   |     | Ring Set   |
|       | 67A 430234  |     | Fuel Filter (Screen) (Optional)  |
|       | 67 430233   |     | Fuel Filter (Screen w/brass collar)                                    |
|       | 75A 510337  |     | Oil Seal   |
|       | 75 510339   |     | Oil Seal (P.T.O. end)  |
|       | 80 490305   |     | Governor Shaft   |
|       | 89 611107   |     | Flywheel Key   |
|       | 90 611109   |     | Flywheel (Counterbalance)  |
|       | 92 650815   |     | Belleville Washer  |
|       | 93 650816   |     | Flywheel Nut   |
|       | 100 34443A  |     | Solid State Ignition   |
|       | 101 610118  |     | Spark Plug Cover   |
|       | 103 650814  |     | Screw, Torx T-15, 10-24 x 1"   |
|       | 105 650892  |     | Screw, 5/16-18 x 2-3/16"   |
|       | 106 650891  |     | Screw, 5/16-18 x 1-5/8"  |
|       | 110 611145  |     | Ground Wire  |
|       | 135 35395   |     | Spark Plug (RJ19LM)  |
|       | 138 570683  |     | Port Cover   |
|       | 164 510341  |     | "O" Ring   |
|       | 165 510342  |     | "O" Ring   |
|       | 182 792067  |     | Screw, 5/16-18 x 1"  |
|       | 184A 27110  |     | Washer   |
|       | 185 570674  |     | Intake Pipe & Reed Ass'y. (Incl. 164 & 165)                            |
|       | 186 490309  |     | Governor Link  |
|       | 200 570675A |     | Control Bracket (Incl.202,203,204,205 ,206)                            |
|       | 202 32924   |     | Compression Spring   |
|       | 203 31342   |     | Compression Spring   |
|       | 204 650549  |     | Screw, 5-40 x 7/16"  |
|       | 205 650606  |     | Screw, 10-32 x 1-1/8"  |
|       | 206 610973  |     | Terminal   |
|       | 209 650735  |     | Screw, 10-24 x 3/8"  |
|       | 209A 650867 |     | Screw, 10-24 x 1/2"  |
|       | 210 27793   |     | Conduit Clip   |
|       | 211 650837  |     | Screw, 10-32 x 1/4"  |
|       | 226 730575A |     | Air Cleaner Kit (Incl. 227, 229, 238, 239, 245, 245A, 250, 251 & 370B) |
|       | 227 450249A |     | Air Cleaner Elbow Ass'y. (Incl. 228, 232, 238, 239A, 241, 344 & 344A)  |

| Ref # | Part Number | Qty | Description  |
|-------|-------------|-----|--|
| 228   | 650901      |     | Stud, 1/4-20 x 4.89 (threaded both ends)   |
| 229   | 650825      |     | Nut & Lock Washer, 1/4-20  |
| 232   |             |     | Pop Rivet (Can be purchased locally)   |
| 239   | 35815       |     | Air Cleaner Gasket   |
| 239A  | 34698A      |     | Air Cleaner Gasket   |
| 241   | 34699       |     | Air Cleaner Bracket  |
| 245   | 34782       |     | Air Cleaner Filter (Incl. 229)   |
| 245A  | 34783       |     | Air Cleaner Filter   |
| 250   | 35601       |     | Air Cleaner Cover  |
| 251   | 650513      |     | Wing Nut, 1/4-20   |
| 260   | 350430      |     | Blower Housing   |
| 261   | 650894      |     | Screw, 5/16-18 x 5/8"  |
| 274   | 510343A     |     | Exhaust Gasket   |
| 277   | 650893      |     | Screw, 5/16-18 x 3-13/64"  |
| 283   | 390315      |     | E.G.R. Tube  |
| 285   | 34449       |     | Starter Cup  |
| 287   | 650926      |     | Screw, 8-32 x 21/64"   |
| 290   | 29774       |     | Fuel Line  |
| 292   | 26460       |     | Fuel Line Clamp  |
| 298   | 650895      |     | Screw, 10-32 x 5/8"  |
| 300   | 410258      |     | Fuel Tank  |
| 301   | 410259A     |     | Fuel Cap   |
| 327   | 35392       |     | Starter Plug   |
| 344   | 450256      |     | Air Cleaner Brace  |
| 344A  | 650894      |     | Screw, 5/16-18 x 5/8"  |
| 370H  | 35977       |     | Caution Decal  |
| 370B  | 34704       |     | Instruction Decal  |
| 370C  | 550234      |     | Bowl Nut Decal   |
| 370E  | 36260       |     | Primer Decal   |
| 380   | 632434      |     | Carburetor (Incl. 164) (Refer to Division 5, Section A, page A6-2 or Fiche 25, Grid F-1 for breakdown) |
| 390   | 590688      |     | Rewind Starter (Refer to Division 5, Section C, page 36 or Fiche 25, Grid G-3 for breakdown)           |
| 399   | 510334      |     | Gasket Eliminator (Loctite 515)  |
| 420   | 730227A     |     | 2-Cycle Oil (8 oz.)  |

ILLUSTRATION SHOWS TYPICAL PARTS ONLY. ORDER BY PART NUMBER. PARTS NOT LISTED ARE SUPPLIED BY OEM.

### VIEW 2 OF 2



| Ref # | Part Number | Qty | Description  |
|-------|-------------|-----|--|
| 67A   | 430234      |     | Fuel Filter (Screen) (Optional)  |
| 200   | 570675A     |     | Control Bracket (Incl.202,203,204,205 ,206)  |
| 202   | 32924       |     | Compression Spring   |
| 205   | 650606      |     | Screw, 10-32 x 1-1/8"  |
| 209A  | 650867      |     | Screw, 10-24 x 1/2"  |
| 209   | 650735      |     | Screw, 10-24 x 3/8"  |
| 238A  | 650940      |     | Screw, 10-32 x 3/4"  |
| 245   | 34782       |     | Air Cleaner Filter (Incl. 229)   |
| 245A  | 34783       |     | Air Cleaner Filter   |
| 275A  | 390316      |     | Muffler (Discharge toward spark plugend) (w/glass fiber packing)                             |
| 287   | 650926      |     | Screw, 8-32 x 21/64"   |
| 290   | 29774       |     | Fuel Line  |
| 292   | 26460       |     | Fuel Line Clamp  |
| 296   | 34279B      |     | Fuel Filter  |
| 370E  | 36260       |     | Primer Decal   |
| 370H  | 35977       |     | Caution Decal  |
| 390   | 590688      |     | Rewind Starter (Refer to Division 5, Section C, page 36 or Fiche 25, Grid G-3 for breakdown) |
| 416   | 390309      |     | Spark Arrestor Kit (Can be used on an y model)   |