

ILLUSTRATION SHOWS TYPICAL PARTS ONLY. ORDER BY PART NUMBER. PARTS NOT LISTED ARE SUPPLIED BY OEM.

VIEW 1 OF 2

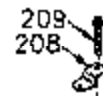
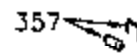
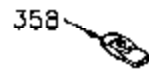
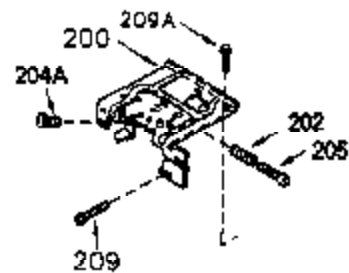
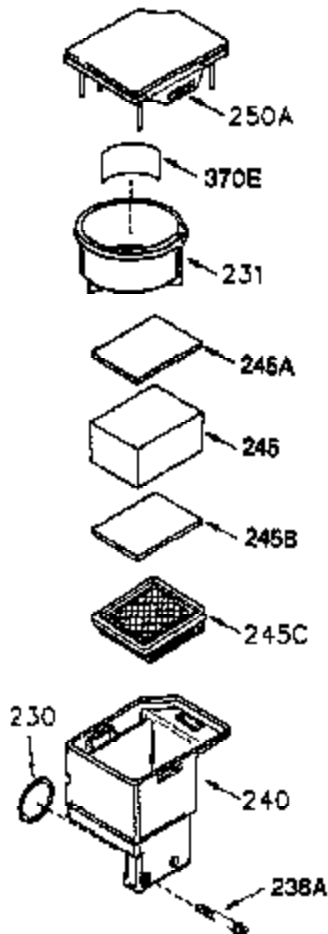
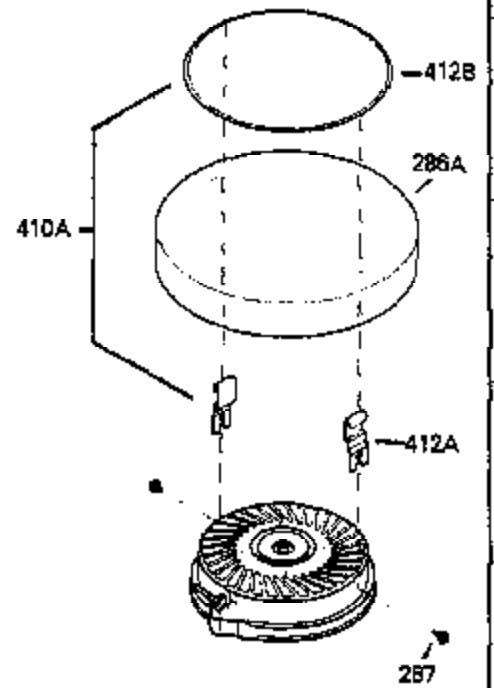
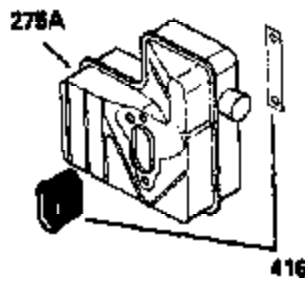
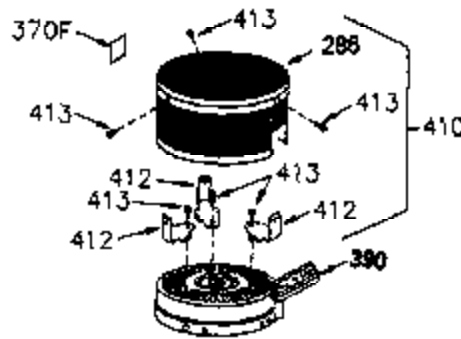
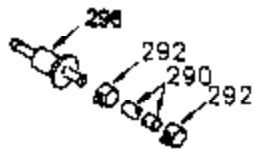
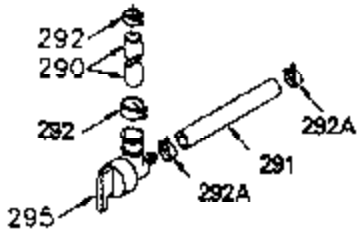


| Ref # | Part Number | Qty | Description |
|-------|--------------|-----|---|
| | 1 250288 | 1 | Cylinder (Incl. 67, 75A, 105, 106 & 1 38) |
| | 16 490306 | 1 | Governor Lever |
| | 16A 490304 | 1 | Governor Lever |
| | 19 490308 | 1 | Extension Spring |
| | 19A 490307 | 1 | Backlash Spring |
| | 19C 570697 | 1 | Heat Shield Spring |
| | 20 510340 | 1 | Oil Seal |
| | 21 570673 | 3 | Ball Bearing |
| | 22 510338 | 1 | Slide Ring |
| | 23 530158 | 1 | Ball Bearing |
| | 24 530161 | 1 | Ball Bearing |
| | 27 530159 | 1 | Bearing Retainer |
| | 29 530164 | 1 | Bearing Strip (31 Needles) |
| | 30 290568A | 1 | Crankshaft (Incl. 29) |
| | 35A 650961 | 2 | Screw, 4-40 x 1/4" |
| | 35 29826 | 1 | Screw, 10-32 x 3/4" |
| | 37 29216 | 1 | Lock Nut, 10-32 |
| | 39 310277B | 1 | Piston & Rod Ass'y. (Incl. 29 & 42) |
| | 42 310278 | 1 | Ring Set |
| | 67 430233 | 1 | Fuel Filter |
| | 75 510339 | 1 | Oil Seal |
| | 75A 510337 | 1 | Oil Seal |
| | 80 490305 | 1 | Governor Shaft |
| | 89 611107 | 1 | Flywheel Key |
| | 90 611109 | 1 | Flywheel |
| | 92 650815 | 1 | Belleville Washer |
| | 93 650816 | 1 | Flywheel Nut |
| | 100 34443A | 1 | Solid State Ignition |
| | 101 610118 | 1 | Spark Plug Cover |
| | 103 650814 | 2 | Screw, Torx T-15, 10-24 x 1" |
| | 105 650892 | 2 | Screw, 5/16-18 x 2-3/16" |
| | 106 650891 | 2 | Screw, 5/16-18 x 1-5/8" |
| | 110 611110 | 1 | Ground Wire |
| | 135 35395 | 1 | Resistor Spark Plug (RJ19LM) |
| | 138 570683 | 2 | Port Cover |
| | 164 510341 | 1 | "O" Ring |
| | 165 510342 | 1 | "O" Ring |
| | 182 792067 | 2 | Screw, 5/16-18 x 1" |
| | 184A 27110 | 2 | Washer |
| | 185 570674 | 1 | Intake Pipe (Incl. 164 & 165) |
| | 186 490309 | 1 | Governor Link |
| | 190 570688 | 1 | Brake Lever |
| | 191A 570678A | 1 | Brake Control Lever |
| | 191 570679 | 1 | S.E. Brake Bracket |
| | 192 490312 | 1 | Brake Control Link |
| | 193 490311 | 1 | Brake Spring |
| | 195 610973 | 1 | Terminal |
| | 197 650896 | 1 | Screw, 1/4-20 x 13/16" |
| | 197A 650897 | 1 | Screw, 1/4-20 x 13/32" |
| | 198 490313 | 1 | Brake Control Lever Spring |
| | 200 570696A | 1 | Control Bracket (Incl. 202 thru 205) |
| | 202 32924 | 1 | Compression Spring |
| | 204 650926 | 1 | Screw, 8-32 x 21/64" |
| | 205 650606 | 1 | Screw, 10-32 x 1-1/8" |
| | 209A 650867 | 2 | Screw, 10-24 x 1/2" |
| | 209 650735 | 1 | Screw, 10-24 x 3/8" |
| | 226 730575A | 1 | Air Cleaner Kit (Incl. items marked # # sign) |
| | 227 450249A | 1 | ## A/C Elbow (Incl. items marked with # sign) |

| Ref # | Part Number | Qty | Description |
|-------|-------------|-----|---|
| 228 | 650901 | 1 | # Stud, 1/4-20 x 4.89" |
| 232 | xxxxx | 2 | # Pop Rivet (Can be purchased locally) |
| 238 | 650940 | 2 | ## Screw, 10-32 x 3/4" |
| 239 | 35815 | 1 | ## Air Cleaner Gasket |
| 239A | 34698A | 1 | # Air Cleaner Gasket |
| 241 | 34699 | 1 | # Air Cleaner Collar |
| 245A | 34783 | 1 | ## Air Cleaner Filter |
| 245 | 34782 | 1 | ## Air Cleaner Filter |
| 250 | 35601 | 1 | ## Air Cleaner Cover |
| 251 | 650513 | 1 | ## Wing Nut, 1/4-20 |
| 260 | 350430 | 1 | Blower Housing |
| 261 | 650894 | 4 | Screw, 5/16-18 x 5/8" |
| 274 | 510343A | 1 | Exhaust Gasket |
| 275 | 390316 | 1 | Muffler |
| 277 | 650893 | 2 | Screw, 5/16-18 x 3-13/64" |
| 278 | 28537 | 2 | Spacer |
| 279 | 650837 | 3 | Screw, 10-32 x 1/4" |
| 280 | 390320 | 1 | Heat Shield |
| 283 | 390315 | 1 | E.G.R. Tube |
| 285 | 34449A | 1 | Starter Cup |
| 287 | 650926 | 4 | Screw, 8-32 x 21/64" |
| 290 | 29774 | 1 | Fuel Line |
| 292 | 26460 | 2 | Fuel Line Clamp |
| 298 | 650895 | 3 | Screw, 10-32 x 5/8" |
| 300 | 410258 | 1 | Fuel Tank |
| 301 | 410259A | 1 | Fuel Cap |
| 325 | 29443 | 1 | Wire Clip |
| 327 | 35392 | 1 | Starter Plug |
| 344 | 450256 | 1 | # Air Cleaner Brace |
| 344A | 650894 | 1 | # Screw, 5/16-18 x 5/8" |
| 370C | 550234 | 1 | Bowl Nut Decal |
| 370D | 34387 | 1 | Screen Decal |
| 370B | 34704 | 1 | ## Air Cleaner Decal |
| 370A | 35977 | 1 | Caution Decal |
| 380 | 632434 | 1 | Carburetor (Incl. 164) |
| 390 | 590694 | 1 | Rewind Starter (NOTE: This engine could have been built with 590686 starter. Refer to the design of the air intake louvers for part identification. Individual starter parts do not interchange.) |
| 399 | 510334 | 1 | Gasket Eliminator (Loctite 515) |
| 420 | 730227A | 1 | 2-Cycle Oil (8 oz.) |

ILLUSTRATION SHOWS TYPICAL PARTS ONLY. ORDER BY PART NUMBER. PARTS NOT LISTED ARE SUPPLIED BY OEM.

VIEW 2 OF 2



| Ref # | Part Number | Qty | Description |
|-------|-------------|-----|---|
| 200 | 570696A | 1 | Control Bracket (Incl. 202 thru 205) |
| 202 | 32924 | 1 | Compression Spring |
| 205 | 650606 | 1 | Screw, 10-32 x 1-1/8" |
| 209A | 650867 | 2 | Screw, 10-24 x 1/2" |
| 209 | 650735 | 1 | Screw, 10-24 x 3/8" |
| 245 | 34782 | 1 | ## Air Cleaner Filter |
| 245A | 34783 | 1 | ## Air Cleaner Filter |
| 286A | 36403 | 1 | Starter Air Cleaner |
| 287 | 650926 | 4 | Screw, 8-32 x 21/64" |
| 290 | 29774 | 1 | Fuel Line |
| 292 | 26460 | 2 | Fuel Line Clamp |
| 390 | 590694 | 1 | Rewind Starter (NOTE: This engine could have been built with 590686 starter. Refer to the design of the air intake louvers for part identification. Individual starter parts do not interchange.) |
| 412B | 36404 | 1 | Starter Air Cleaner Mounting Ring |
| 412A | 36405 | 2 | Starter Air Cleaner Mounting Bracket |