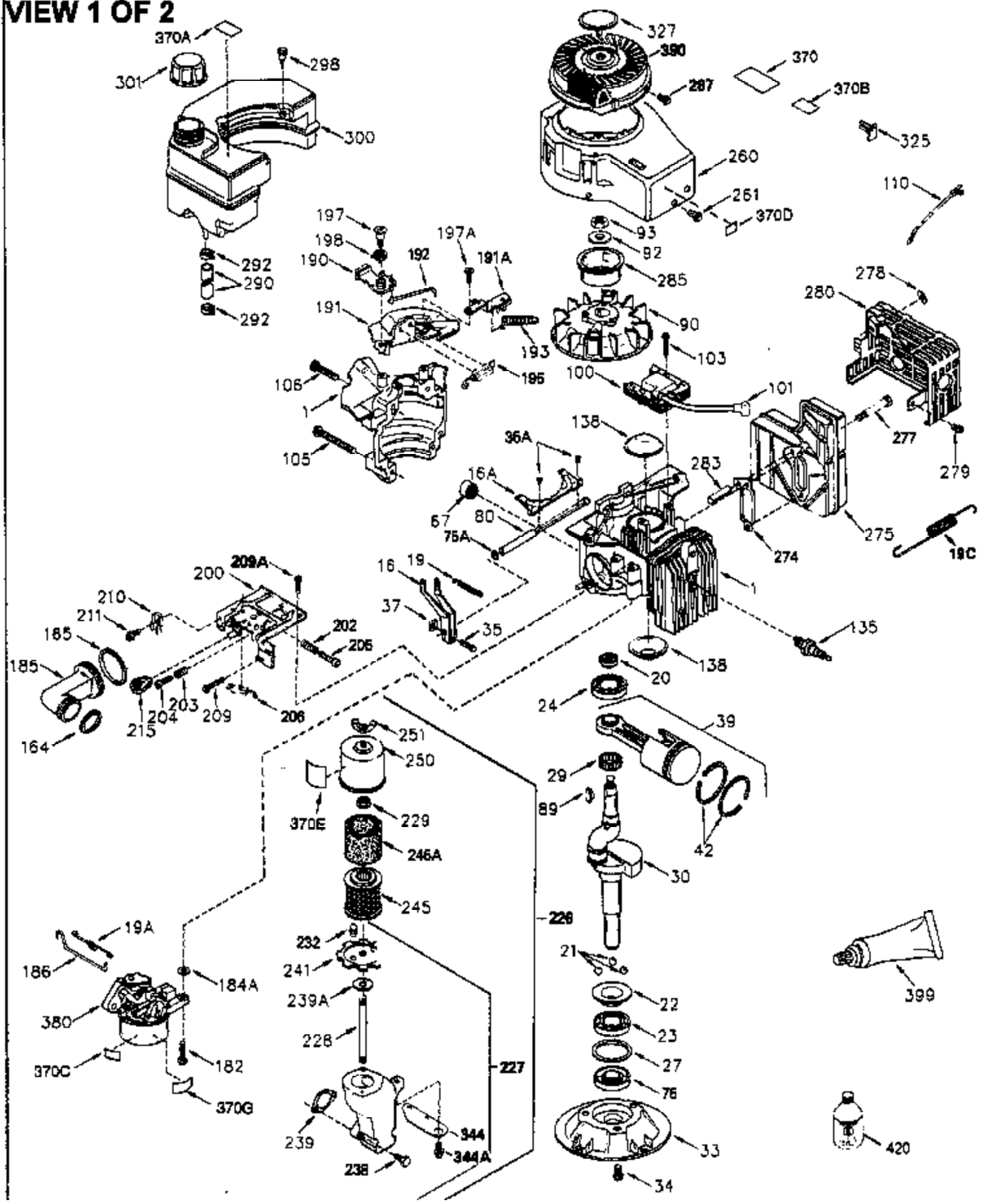


ILLUSTRATION SHOWS TYPICAL PARTS ONLY. ORDER BY PART NUMBER. PARTS NOT LISTED ARE SUPPLIED BY OEM.

### VIEW 1 OF 2

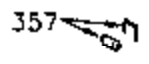
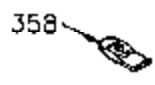
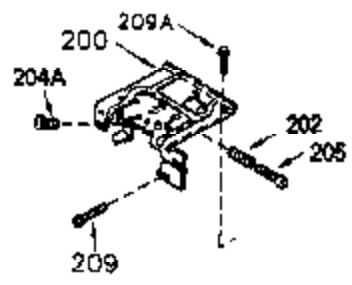
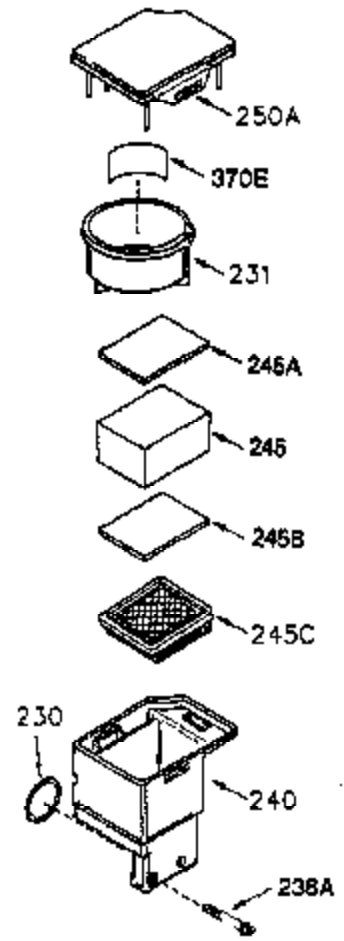
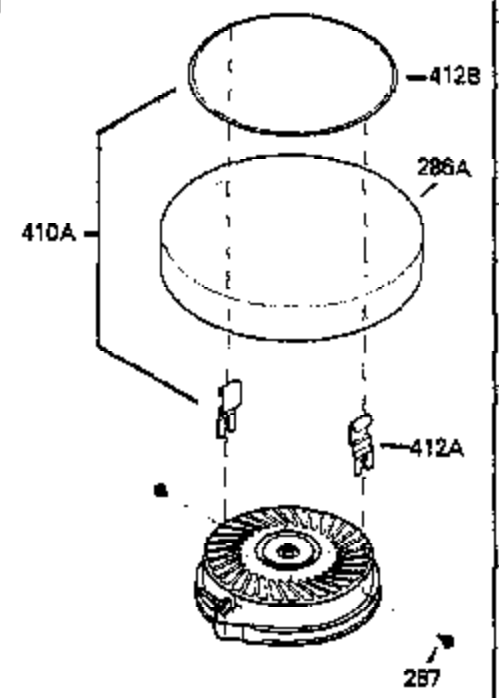
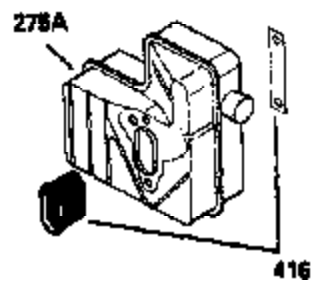
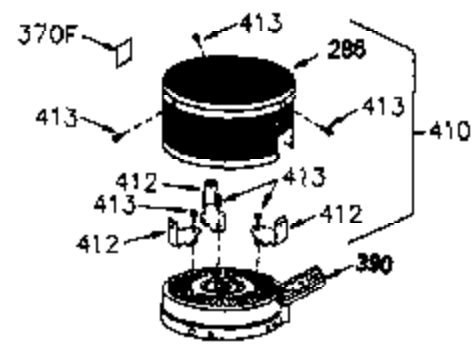
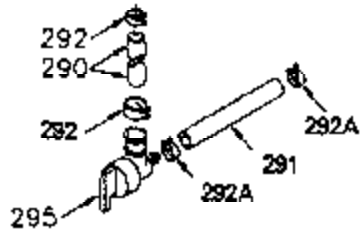


| Ref # | Part Number  | Qty | Description                               |
|-------|--------------|-----|---|
|       | 1 250288     | 1   | Cylinder (Incl. 67, 75A, 105, 106 & 1 38) |
|       | 16 490306    | 1   | Governor Lever                            |
|       | 16A 490304   | 1   | Governor Lever                            |
|       | 19A 490307   | 1   | Backlash Spring                           |
|       | 19C 570697   | 1   | Heat Shield Spring                        |
|       | 19 490308    | 1   | Extension Spring                          |
|       | 20 510340    | 1   | Oil Seal                                  |
|       | 21 570673    | 3   | Ball Bearing                              |
|       | 22 510338    | 1   | Slide Ring                                |
|       | 23 530158    | 1   | Ball Bearing                              |
|       | 24 530161    | 1   | Ball Bearing                              |
|       | 27 530159    | 1   | Bearing Retainer                          |
|       | 29 530164    | 1   | Bearing Strip (31 Needles)                |
|       | 30 290573B   | 1   | Crankshaft (Incl. 29)                     |
|       | 33 330179    | 1   | Adapter Plate                             |
|       | 34 792067    | 3   | Screw, 5/16-18 x 1"                       |
|       | 35A 650506   | 2   | Screw, 4-40 x 1/4"                        |
|       | 35 29826     | 1   | Screw, 10-32 x 3/4"                       |
|       | 37 29216     | 1   | Lock Nut, 10-32                           |
|       | 39 310277B   | 1   | Piston & Rod Ass'y. (Incl. 29 & 42)       |
|       | 42 310278    | 2   | Ring Set                                  |
|       | 67 430233    | 1   | Fuel Filter                               |
|       | 75 510339    | 1   | Oil Seal                                  |
|       | 75A 510337   | 1   | Oil Seal                                  |
|       | 80 490305    | 1   | Governor Shaft                            |
|       | 89 611107    | 1   | Flywheel Key                              |
|       | 90 611109    | 1   | Flywheel                                  |
|       | 92 650815    | 1   | Belleville Washer                         |
|       | 93 650816    | 1   | Flywheel Nut                              |
|       | 100 34443B   | 1   | Solid State Ignition                      |
|       | 101 610118   | 1   | Spark Plug Cover                          |
|       | 103 651007   | 2   | Screw, Torx T-15, 10-24 x 15/16"          |
|       | 105 650892   | 2   | Screw, 5/16-18 x 2-3/16"                  |
|       | 106 650891   | 2   | Screw, 5/16-18 x 1-5/8"                   |
|       | 110 611110   | 1   | Ground Wire                               |
|       | 135 35395    | 1   | Resistor Spark Plug (RJ19LM)              |
|       | 138 570683   | 2   | Port Cover                                |
|       | 164 510341   | 1   | "O" Ring                                  |
|       | 165 510342   | 1   | "O" Ring                                  |
|       | 182 792067   | 2   | Screw, 5/16-18 x 1"                       |
|       | 184A 27110   | 2   | Washer                                    |
|       | 185 570674   | 1   | Intake Pipe (Incl. 164 & 165)             |
|       | 186 490309   | 1   | Governor Link                             |
|       | 190 570688   | 1   | Brake Lever                               |
|       | 191A 570678A | 1   | Brake Control Lever                       |
|       | 191 570679   | 1   | S.E. Brake Bracket                        |
|       | 192 490312   | 1   | Brake Control Link                        |
|       | 193 490311   | 1   | Brake Spring                              |
|       | 195 610973   | 1   | Terminal                                  |
|       | 197A 650897  | 1   | Screw, 1/4-20 x 13/32"                    |
|       | 197 650896   | 1   | Screw, 1/4-20 x 13/16"                    |
|       | 198 490313   | 1   | Brake Control Lever Spring                |
|       | 200 570675A  | 1   | Control Bracket (Incl. 202 thru 205)      |
|       | 202 32924    | 1   | Compression Spring                        |
|       | 203 31342    | 1   | Compression Spring                        |
|       | 204 650549   | 1   | Screw, 5-40 x 7/16"                       |
|       | 205 650606   | 1   | Screw, 10-32 x 1-1/8"                     |
|       | 209 650735   | 1   | Screw, 10-24 x 3/8"                       |

| Ref # | Part Number | Qty | Description   |
|-------|-------------|-----|---|
| 209A  | 650867      | 2   | Screw, 10-24 x 1/2"   |
| 210   | 27793       | 1   | Conduit Clip  |
| 211   | 650837      | 1   | Screw, 10-32 x 1/4"   |
| 226   | 730575B     | 1   | Air Cleaner Kit (Incl. items marked # # sign)                                 |
| 227   | 450249A     | 1   | ## A/C Elbow (Incl. items marked with # sign)                                 |
| 228   | 650901      | 1   | # Stud, 1/4-20 x 4.89"  |
| 232   | 0           | 2   | # Pop Rivet (Can be purchased locally )                                       |
| 238   | 650940      | 2   | ## Screw, 10-32 x 3/4"  |
| 239   | 35815       | 1   | ## Air Cleaner Gasket   |
| 239A  | 34698A      | 1   | # Air Cleaner Gasket  |
| 241   | 34699       | 1   | # Air Cleaner Collar  |
| 245A  | 34783       | 1   | ## Air Cleaner Filter   |
| 245   | 34782A      | 1   | ## Air Cleaner Filter   |
| 250   | 34781       | 1   | Air Cleaner Cover   |
| 251   | 650513      | 1   | ## Wing Nut, 1/4-20   |
| 260   | 350430      | 1   | Blower Housing  |
| 261   | 650894      | 4   | Screw, 5/16-18 x 5/8"   |
| 274   | 510343A     | 1   | Exhaust Gasket  |
| 275   | 390306A     | 1   | Muffler   |
| 277   | 650893      | 2   | Screw, 5/16-18 x 3-13/64"   |
| 278   | 28537       | 1   | Washer  |
| 279   | 650837      | 3   | Screw, 10-32 x 1/4"   |
| 280   | 390338      | 1   | Heat Shield   |
| 283   | 390315      | 1   | E.G.R. Tube   |
| 285   | 34449A      | 1   | Starter Cup   |
| 287   | 650926      | 4   | Screw, 8-32 x 21/64"  |
| 290   | 29774       | 1   | Fuel Line   |
| 292   | 26460       | 2   | Fuel Line Clamp   |
| 298   | 650895      | 3   | Screw, 10-32 x 5/8"   |
| 300   | 410258      | 1   | Fuel Tank   |
| 301   | 410259A     | 1   | Fuel Cap  |
| 325   | 29443       | 1   | Wire Clip   |
| 344A  | 650894      | 1   | # Screw, 5/16-18 x 5/8"   |
| 344   | 450256      | 1   | # Air Cleaner Brace   |
| 370K  | 36695       | 1   | Starter Decal   |
| 370B  | 34704       | 1   | ## Instruction Decal  |
| 370A  | 36261       | 1   | Lubrication Decal   |
| 370C  | 550234      | 1   | Bowl Nut Decal  |
| 380   | 632434      | 1   | Carburetor (Incl. 164)  |
| 390   | 590694      | 1   | Rewind Starter (NOTE: This engine could have been built with 590737 starter.) |
| 399   | 510334      | 1   | Gasket Eliminator (Loctite 515)   |
| 420   | 730227A     | 1   | 2-Cycle Oil (8 oz.)   |

ILLUSTRATION SHOWS TYPICAL PARTS ONLY. ORDER BY PART NUMBER. PARTS NOT LISTED ARE SUPPLIED BY OEM.

### VIEW 2 OF 2



| Ref # | Part Number | Qty | Description   |
|-------|-------------|-----|---|
| 200   | 570675A     | 1   | Control Bracket (Incl. 202 thru 205)  |
| 202   | 32924       | 1   | Compression Spring  |
| 205   | 650606      | 1   | Screw, 10-32 x 1-1/8"   |
| 209A  | 650867      | 2   | Screw, 10-24 x 1/2"   |
| 209   | 650735      | 1   | Screw, 10-24 x 3/8"   |
| 245   | 34782A      | 1   | ## Air Cleaner Filter   |
| 245A  | 34783       | 1   | ## Air Cleaner Filter   |
| 287   | 650926      | 4   | Screw, 8-32 x 21/64"  |
| 290   | 29774       | 1   | Fuel Line   |
| 292   | 26460       | 2   | Fuel Line Clamp   |
| 370K  | 36695       | 1   | Starter Decal   |
| 390   | 590694      | 1   | Rewind Starter (NOTE: This engine could have been built with 590737 starter.) |