

ILLUSTRATION SHOWS TYPICAL PARTS ONLY. ORDER BY PART NUMBER. PARTS NOT LISTED ARE SUPPLIED BY OEM.

VIEW 1 OF 2

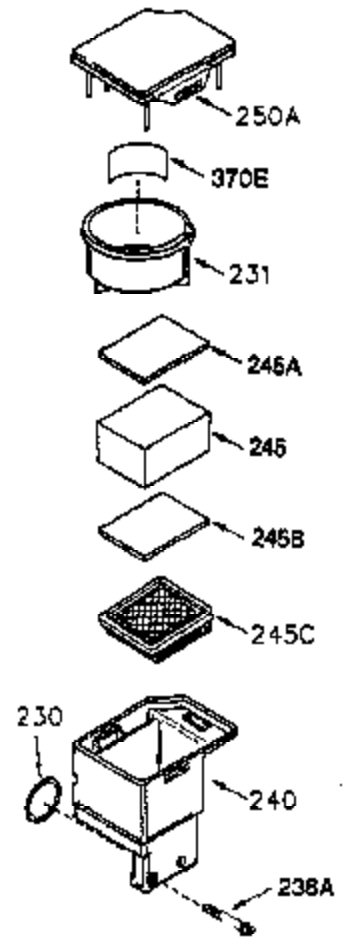


Ref #	Part Number	Qty	Description
	1 250288	1	Cylinder (Incl. 67, 75A, 105, 106 & 1 38)
	16 490306	1	Governor Lever
	16A 490304	1	Governor Lever
	19A 490307	1	Backlash Spring
	19C 570697	1	Heat Shield Spring
	19 490308	1	Extension Spring
	20 510340	1	Oil Seal
	21 570673	3	Ball Bearing
	22 510338	1	Slide Ring
	23 530158	1	Ball Bearing
	24 530161	1	Ball Bearing
	27 530159	1	Bearing Retainer
	29 530164	1	Bearing Strip (31 Needles)
	30 290641	1	Crankshaft (Incl. 29)
	33 330179	1	Adapter Plate
	34 792067	3	Screw, 5/16-18 x 1"
	35A 650961	2	Screw, 4-40 x 1/4"
	35 29826	1	Screw, 10-32 x 3/4"
	37 29216	1	Lock Nut, 10-32
	39 310277B	1	Piston & Rod Ass'y. (Incl. 29 & 42)
	42 310278	2	Ring Set
	67 430233	1	Fuel Filter
	75 510339	1	Oil Seal
	75A 510337	1	Oil Seal
	80 490305	1	Governor Shaft
	89 611107	1	Flywheel Key
	90 611109	1	Flywheel
	92 650815	1	Belleville Washer
	93 650816	1	Flywheel Nut
	100 34443A	1	Solid State Ignition
	101 610118	1	Spark Plug Cover
	103 650814	2	Screw, Torx T-15, 10-24 x 1"
	105 650892	2	Screw, 5/16-18 x 2-3/16"
	106 650891	2	Screw, 5/16-18 x 1-5/8"
	110 611110	1	Ground Wire
	135 35395	1	Resistor Spark Plug (RJ19LM)
	138 570683	2	Port Cover
	164 510341	1	"O" Ring
	165 510342	1	"O" Ring
	182 792067	2	Screw, 5/16-18 x 1"
	184A 27110	2	Washer
	185 570674	1	Intake Pipe (Incl. 164 & 165)
	186 490309	1	Governor Link
	190 570688	1	Brake Lever
	191 570679	1	S.E. Brake Bracket
	191A 570678A	1	Brake Control Lever
	192 490312	1	Brake Control Link
	193 490311	1	Brake Spring
	195 610973	1	Terminal
	197A 650897	1	Screw, 1/4-20 x 13/32"
	197 650896	1	Screw, 1/4-20 x 13/16"
	198 490313	1	Brake Control Lever Spring
	200 570675A	1	Control Bracket (Incl. 202 thru 205)
	202 32924	1	Compression Spring
	203 31342	1	Compression Spring
	204 650549	1	Screw, 5-40 x 7/16"
	205 650606	1	Screw, 10-32 x 1-1/8"
	209 650735	1	Screw, 10-24 x 3/8"

Ref #	Part Number	Qty	Description
209A	650867	2	Screw, 10-24 x 1/2"
210	27793	1	Conduit Clip
211	650837	1	Screw, 10-32 x 1/4"
226	730575A	1	Air Cleaner Kit (Incl. items marked # # sign)
227	450249A	1	## A/C Elbow (Incl. items marked with # sign)
228	650901	1	# Stud, 1/4-20 x 4.89"
232	xxxxx	2	# Pop Rivet (Can be purchased locally)
238	650940	2	## Screw, 10-32 x 3/4"
239	35815	1	## Air Cleaner Gasket
239A	34698A	1	# Air Cleaner Gasket
241	34699	1	# Air Cleaner Collar
245A	34783	1	## Air Cleaner Filter
245	34782	1	## Air Cleaner Filter
250	35601	1	## Air Cleaner Cover
251	650513	1	## Wing Nut, 1/4-20
260	350430	1	Blower Housing
261	650894	4	Screw, 5/16-18 x 5/8"
274	510343A	1	Exhaust Gasket
275	390316	1	Muffler
277	650893	2	Screw, 5/16-18 x 3-13/64"
278	28537	1	Washer
279	650837	3	Screw, 10-32 x 1/4"
280	390320	1	Heat Shield
283	390315	1	E.G.R. Tube
285	34449A	1	Starter Cup
287	650926	4	Screw, 8-32 x 21/64"
290	29774	1	Fuel Line
292	26460	2	Fuel Line Clamp
298	650895	3	Screw, 10-32 x 5/8"
300	410258	1	Fuel Tank
301	410259A	1	Fuel Cap
325	29443	1	Wire Clip
327	35392	1	Starter Plug
344A	650894	1	# Screw, 5/16-18 x 5/8"
344	450256	1	# Air Cleaner Brace
370A	36261	1	Lubrication Decal
370C	550234	1	Bowl Nut Decal
370B	34704	1	## Instruction Decal
380	632434	1	Carburetor (Incl. 164)
390	590694	1	Rewind Starter (NOTE: This engine could have been built with 590686 starter. Refer to the design of the air intake louvers for part identification. Individual starter parts do not interchange.)
399	510334	1	Gasket Eliminator (Loctite 515)
420	730227A	1	2-Cycle Oil (8 oz.)

ILLUSTRATION SHOWS TYPICAL PARTS ONLY. ORDER BY PART NUMBER. PARTS NOT LISTED ARE SUPPLIED BY OEM.

VIEW 2 OF 2



Ref #	Part Number	Qty	Description
200	570675A	1	Control Bracket (Incl. 202 thru 205)
202	32924	1	Compression Spring
205	650606	1	Screw, 10-32 x 1-1/8"
209A	650867	2	Screw, 10-24 x 1/2"
209	650735	1	Screw, 10-24 x 3/8"
245	34782	1	## Air Cleaner Filter
245A	34783	1	## Air Cleaner Filter
287	650926	4	Screw, 8-32 x 21/64"
290	29774	1	Fuel Line
292	26460	2	Fuel Line Clamp
390	590694	1	Rewind Starter (NOTE: This engine could have been built with 590686 starter. Refer to the design of the air intake louvers for part identification. Individual starter parts do not interchange.)