

ILLUSTRATION SHOWS TYPICAL PARTS ONLY. ORDER BY PART NUMBER. PARTS NOT LISTED ARE SUPPLIED BY OEM.

### VIEW 1 OF 2

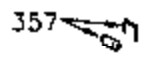
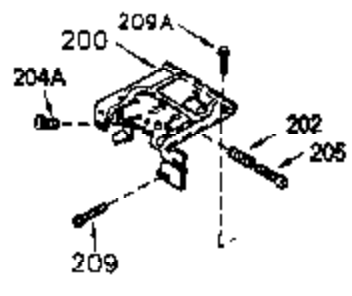
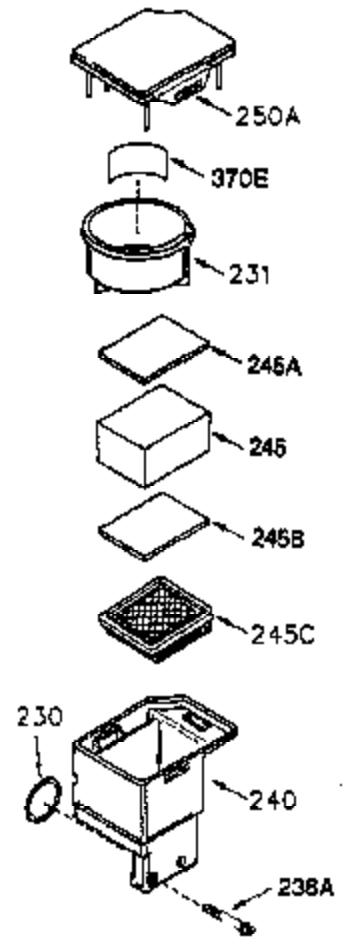
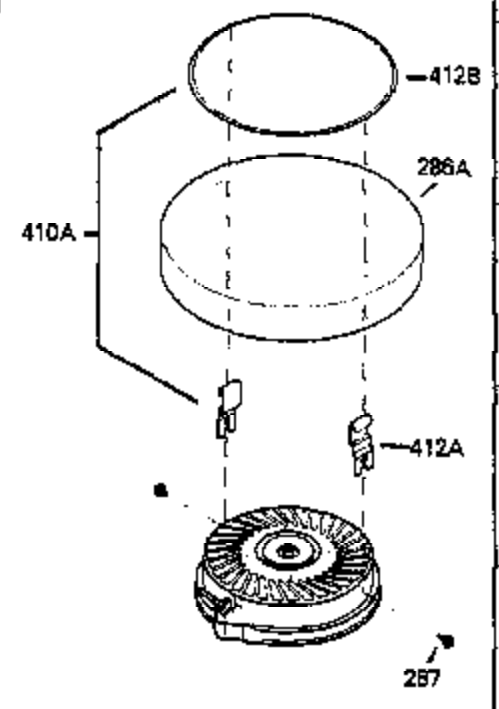
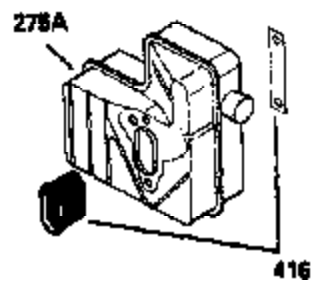
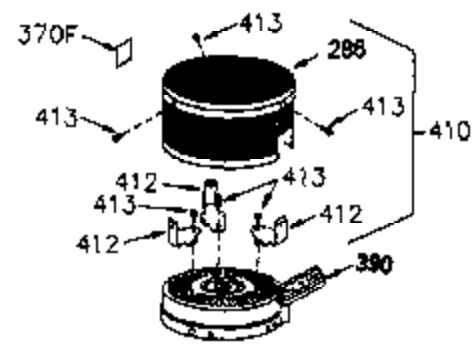


| Ref # | Part Number  | Qty | Description                               |
|-------|--------------|-----|---|
|       | 1 250288     | 1   | Cylinder (Incl. 67, 75A, 105, 106 & 1 38) |
|       | 16 490306    | 1   | Governor Lever                            |
|       | 16A 490304   | 1   | Governor Lever                            |
|       | 19A 490307   | 1   | Backlash Spring                           |
|       | 19 490308    | 1   | Extension Spring                          |
|       | 20 510340    | 1   | Oil Seal                                  |
|       | 21 570673    | 3   | Ball Bearing                              |
|       | 22 510338    | 1   | Slide Ring                                |
|       | 23 530158    | 1   | Ball Bearing                              |
|       | 24 530161    | 1   | Ball Bearing                              |
|       | 27 530159    | 1   | Bearing Retainer                          |
|       | 29 530164    | 1   | Bearing Strip (31 Needles)                |
|       | 30 290617    | 1   | Crankshaft (Incl. 29)                     |
|       | 33 330179    | 1   | Adapter Plate                             |
|       | 34 792067    | 3   | Screw, 5/16-18 x 1"                       |
|       | 35 29826     | 1   | Screw, 10-32 x 3/4"                       |
|       | 35A 650506   | 2   | Screw, 4-40 x 1/4"                        |
|       | 37 29216     | 1   | Lock Nut, 10-32                           |
|       | 39 310279B   | 1   | Piston & Rod Ass'y. (Incl. 29 & 42)       |
|       | 42 310239    | 2   | Ring Set                                  |
|       | 67 430233    | 1   | Fuel Filter                               |
|       | 75A 510337   | 1   | Oil Seal                                  |
|       | 75 510339    | 1   | Oil Seal                                  |
|       | 80 490305    | 1   | Governor Shaft                            |
|       | 89 611107    | 1   | Flywheel Key                              |
|       | 90 611109    | 1   | Flywheel                                  |
|       | 92 650815    | 1   | Belleville Washer                         |
|       | 93 650816    | 1   | Flywheel Nut                              |
|       | 100 34443A   | 1   | Solid State Ignition                      |
|       | 101 610118   | 1   | Spark Plug Cover                          |
|       | 103 651007   | 2   | Screw, Torx T-15, 10-24 x 15/16"          |
|       | 105 650892   | 2   | Screw, 5/16-18 x 2-3/16"                  |
|       | 106 650891   | 2   | Screw, 5/16-18 x 1-5/8"                   |
|       | 110 611110   | 1   | Ground Wire                               |
|       | 135 35395    | 1   | Resistor Spark Plug (RJ19LM)              |
|       | 138 570683   | 2   | Port Cover                                |
|       | 164 510341   | 1   | "O" Ring                                  |
|       | 165 510342   | 1   | "O" Ring                                  |
|       | 182 792067   | 2   | Screw, 5/16-18 x 1"                       |
|       | 184A 27110   | 2   | Washer                                    |
|       | 185 570674   | 1   | Intake Pipe (Incl. 164 & 165)             |
|       | 186 490309   | 1   | Governor Link                             |
|       | 190 570688   | 1   | Brake Lever                               |
|       | 191 570679   | 1   | S.E. Brake Bracket                        |
|       | 191A 570678A | 1   | Brake Control Lever                       |
|       | 192 490312   | 1   | Brake Control Link                        |
|       | 193 490314   | 1   | Brake Spring                              |
|       | 195 610973   | 1   | Terminal                                  |
|       | 197 650896   | 1   | Screw, 1/4-20 x 13/16"                    |
|       | 197A 650897  | 1   | Screw, 1/4-20 x 13/32"                    |
|       | 198 490313   | 1   | Brake Control Lever Spring                |
|       | 200 570675A  | 1   | Control Bracket (Incl. 202 thru 205)      |
|       | 202 32924    | 1   | Compression Spring                        |
|       | 203 31342    | 1   | Compression Spring                        |
|       | 204 650549   | 1   | Screw, 5-40 x 7/16"                       |
|       | 205 650606   | 1   | Screw, 10-32 x 1-1/8"                     |
|       | 209A 650867  | 2   | Screw, 10-24 x 1/2"                       |
|       | 209 650735   | 1   | Screw, 10-24 x 3/8"                       |

| Ref # | Part Number | Qty | Description   |
|-------|-------------|-----|---|
| 210   | 27793       | 1   | Conduit Clip  |
| 211   | 650837      | 1   | Screw, 10-32 x 1/4"   |
| 226   | 730575B     | 1   | Air Cleaner Kit (Incl. items marked # # sign)   |
| 227   | 450249A     | 1   | ## A/C Elbow (Incl. items marked with # sign)   |
| 228   | 650901      | 1   | # Stud, 1/4-20 x 4.89"  |
| 232   | 0           | 2   | # Pop Rivet (Can be purchased locally )   |
| 238   | 650940      | 2   | ## Screw, 10-32 x 3/4"  |
| 239   | 35815       | 1   | ## Air Cleaner Gasket   |
| 239A  | 34698A      | 1   | # Air Cleaner Gasket  |
| 241   | 34699       | 1   | # Air Cleaner Collar  |
| 245   | 34782A      | 1   | ## Air Cleaner Filter   |
| 245A  | 34783       | 1   | ## Air Cleaner Filter   |
| 250   | 34781       | 1   | Air Cleaner Cover   |
| 251   | 650513      | 1   | ## Wing Nut, 1/4-20   |
| 260   | 350430      | 1   | Blower Housing  |
| 261   | 650894      | 4   | Screw, 5/16-18 x 5/8"   |
| 274   | 510343A     | 1   | Exhaust Gasket  |
| 275   | 390316      | 1   | Muffler   |
| 277   | 650893      | 2   | Screw, 5/16-18 x 3-13/64"   |
| 283   | 390315      | 1   | E.G.R. Tube   |
| 285   | 34449A      | 1   | Starter Cup   |
| 287   | 650926      | 4   | Screw, 8-32 x 21/64"  |
| 290   | 29774       | 1   | Fuel Line   |
| 292   | 26460       | 2   | Fuel Line Clamp   |
| 298   | 650895      | 3   | Screw, 10-32 x 5/8"   |
| 300   | 410258      | 1   | Fuel Tank   |
| 301   | 410259A     | 1   | Fuel Cap  |
| 325   | 29443       | 1   | Wire Clip   |
| 344   | 450256      | 1   | # Air Cleaner Brace   |
| 344A  | 650894      | 1   | # Screw, 5/16-18 x 5/8"   |
| 370K  | 36695       | 1   | Starter Decal   |
| 370C  | 550234      | 1   | Bowl Nut Decal  |
| 370A  | 36261       | 1   | Lubrication Decal   |
| 370B  | 34704       | 1   | ## Instruction Decal  |
| 380   | 632434      | 1   | Carburetor (Incl. 164)  |
| 390   | 590732      | 1   | Rewind Starter (NOTE: This engine could have been built with 590738 starter. Refer to the design of the rope pulley strength ribs for part identification. Individual starter parts do not interchange. Refer to service bulletin 116.) |
| 399   | 510334      | 1   | Gasket Eliminator (Loctite 515)   |
| 420   | 730227A     | 1   | 2-Cycle Oil (8 oz.)   |

ILLUSTRATION SHOWS TYPICAL PARTS ONLY. ORDER BY PART NUMBER. PARTS NOT LISTED ARE SUPPLIED BY OEM.

### VIEW 2 OF 2



| Ref # | Part Number | Qty | Description   |
|-------|-------------|-----|---|
| 200   | 570675A     | 1   | Control Bracket (Incl. 202 thru 205)  |
| 202   | 32924       | 1   | Compression Spring  |
| 205   | 650606      | 1   | Screw, 10-32 x 1-1/8"   |
| 209A  | 650867      | 2   | Screw, 10-24 x 1/2"   |
| 209   | 650735      | 1   | Screw, 10-24 x 3/8"   |
| 245   | 34782A      | 1   | ## Air Cleaner Filter   |
| 245A  | 34783       | 1   | ## Air Cleaner Filter   |
| 287   | 650926      | 4   | Screw, 8-32 x 21/64"  |
| 290   | 29774       | 1   | Fuel Line   |
| 292   | 26460       | 2   | Fuel Line Clamp   |
| 370K  | 36695       | 1   | Starter Decal   |
| 390   | 590732      | 1   | Rewind Starter (NOTE: This engine could have been built with 590738 starter. Refer to the design of the rope pulley strength ribs for part identification. Individual starter parts do not interchange. Refer to service bulletin 116.) |