

ILLUSTRATION SHOWS TYPICAL PARTS ONLY. ORDER BY PART NUMBER. PARTS NOT LISTED ARE SUPPLIED BY OEM.

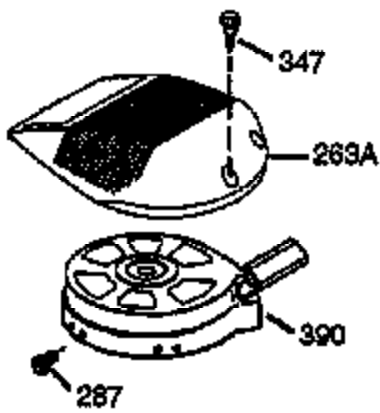
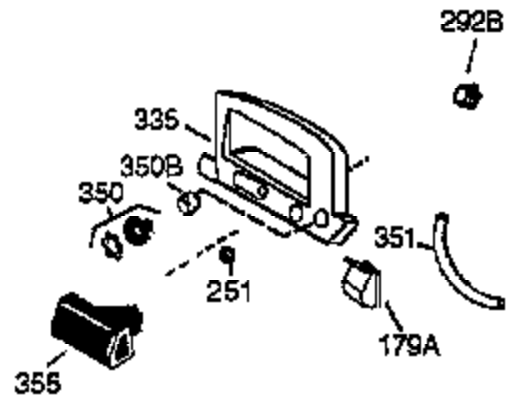
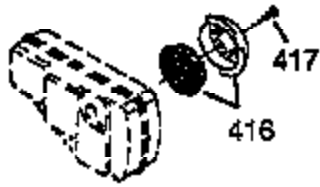


Ref #	Part Number	Qty	Description
1	36177	1	Cylinder (Incl. 2,10,12,20 & 125)
2	27652	2	Dowel Pin
6	36059	1	Breather Element
7	36005A	1	* Breather Ass'y.
9	590568	3	Screw, 10-24 x 3/4"
10	36002	1	Breather Body
11	36003	1	Check Valve
12	32447	1	Breather Tube
14	28277	1	Washer
15	36006	1	Governor Rod
16	36008	1	Governor Lever
17	31335	1	Governor Lever Clamp
18	651018	1	Screw, Torx T-15, 8-32 x 19/64"
19	36103	1	Extension Spring
20	36010	1	Oil Seal
25	36132	1	Blower Housing Baffle (Incl. 195)
26	650802	3	Screw, 1/4-20 x 5/8"
30	36181	1	Crankshaft
40	36073	1	Piston, Pin & Ring Set (Std.)
40	36074	1	Piston, Pin & Ring Set (.010" OS)
40	36075	1	Piston, Pin & Ring Set (.020" OS)
41	36070	1	Piston & Pin Ass'y. (Std.) (Incl. 43)
41	36071	1	Piston & Pin Ass'y. (.010" OS) (Incl. 43)
41	36072	1	Piston & Pin Ass'y. (.020" OS) (Incl. 43)
42	36076	1	Ring Set (Std.)
42	36077	1	Ring Set (.010" OS)
42	36078	1	Ring Set (.020" OS)
43	20381	2	Piston Pin Retaining Ring
45	36023A	1	Connecting Rod Ass'y. (Incl. 46)
46	32610A	2	Connecting Rod Bolt
48	36030	2	Valve Lifter
50	36031A	1	Camshaft (MCR)
52	29914	1	Oil Pump Ass'y.
69	36032A	1	* Mounting Flange Gasket
70	36151	1	Mounting Flange (Incl. 72 thru 85)
72	36083	1	Oil Drain Plug
75	36010	1	Oil Seal
80	30574A	1	Governor Shaft
81	30590A	1	Washer
82	30591	1	Governor Gear Ass'y. (Incl. 81)
83	36057	1	Governor Spool
85	36034	1	Idle Gear
86	650924	7	Screw, 1/4-20 x 1-9/16"
89	611154	1	Flywheel Key
90	611155	1	Flywheel
91	611156	1	Flywheel Fan
92	650815	1	Belleville Washer
93	650816	1	Flywheel Nut
100	34443A	1	Solid State Ignition
101	610118	1	Spark Plug Cover
103	651007	2	Screw, Torx T-15, 10-24 x 15/16"
110	36054	1	Ground Wire
119	36061	1	* Cylinder Head Gasket
120	36120A	1	Cylinder Head
125	36471	1	Exhaust Valve (Std.) (Incl. 151)
125	36472	1	Exhaust Valve (1/32" OS) (Incl. 151)
126	29314B	1	Intake Valve (Std.) (Incl. 151)
126	29315C	1	Intake Valve (1/32" OS) (Incl. 151)

Ref #	Part Number	Qty	Description
130	6021A	7	Screw, 5/16-18 x 1-1/2"
135	35395	1	Resistor Spark Plug (RJ19LM)
150	31672	2	Valve Spring
151	31673	2	Valve Spring Cap
151A	40016	1	Intake Valve Seal
152	37075	1	"O"-Ring
169	27234A	1	* Valve Cover Gasket
172	32755	1	Valve Cover
174	30200	2	Screw, 10-24 x 9/16"
177	650925A	2	Carburetor Mounting Stud
184	36183	2	Carburetor Gasket
186	36009	1	Governor Link
187A	36182	1	Air Baffle
190	36013	1	Brake Lever
191A	36012	1	Brake Control Lever
192	36016	1	Brake Control Link
193	36015	1	Brake Spring
194	36014	2	Retaining Ring
195	610973	1	Terminal
198	36017	1	Brake Control Lever Spring
199	36018	2	Brake Control Lever Bushing
202	36482	1	Compression Spring
203	31342	1	Compression Spring
204	651029	1	Screw, Torx T-10, 5-40 x 7/16"
205	651030	1	Screw, Torx T-10, 6-32 x 17/32"
210	27793	1	Conduit Clip
211	28942	1	Screw, 10-32 x 3/8"
239	36048	1	* Air Cleaner Gasket
240	36131	1	Carburetor Intake Cover Ass'y. (Incl. 179A,239,350,351)
251	650928	2	Lock Nut 1/4-20
255	36138	1	Control Plate
256	650983	2	Screw, 8-32 x 1/2"
260	36129	1	Blower Housing
261	650737	4	Screw, 1/4-20 x 1/2"
275	36107	1	Muffler
276	36043	1	Locking Plate
277	650927	2	Screw, 5/16-18 x 2-11/32"
279	650956	3	Screw, Torx T-25, 12-24 x 49/64"
280	36090	1	Heat Shield
285	34449A	1	Starter Cup
287	650926	4	Screw, 8-32 x 21/64"
290	29774	1	Fuel Line
292	26460	2	Fuel Line Clamp
300	36130	1	Fuel Tank (Incl. 301)
301	36135	1	Fuel Cap
305	36063	1	Oil Fill Tube
307	35499	1	"O" Ring
308	36040	1	Fill Tube Clip
310	36134	1	Dipstick
346A	28763	2	Screw, 10-32 x 35/64"
350	632694	1	Primer Ass'y.
370A	36261	1	Lubrication Decal
380	632757	1	Carburetor (Incl. 184,187A & 239)
390	590702	1	Rewind Starter (NOTE: This engine could have been built with 590739 starter. Refer to the design of the rope pulley strength ribs for part identification. Individual starter parts do not interchange. Refer to service bulletin 116).

Ref #	Part Number	Qty	Description
400	36062B	1	* Gasket Set (Incl. items marked PK i n notes). Incl. part #'s 27234A (1), 36005A (1), 36032A (1), 36035 (1), 36048 (1), 36061 (1)
420	730225	1	SAE 30 4-Cycle Engine Oil (Quart)

ILLUSTRATION SHOWS TYPICAL PARTS ONLY. ORDER BY PART NUMBER. PARTS NOT LISTED ARE SUPPLIED BY OEM.



Ref #	Part Number	Qty	Description
	7 36005A	1	* Breather Assy.
	152 37075	1	"O"-Ring
	179A 36141	1	Wire Clip
	184 36183	2	Carburetor Gasket
	187A 36182	1	Air Baffle
	251 650928	2	Lock Nut 1/4-20
	263A 36133	1	Starter Grill
	287 650926	4	Screw, 8-32 x 21/64"
	292B 36144	1	Fuel Line Clamp
	350 632694	1	Primer Ass'y.
	350B 632647	1	Primer Bulb Filter
	351 36143	1	Primer Line
	355 36136	1	Starter Handle
	370A 36261	1	Lubrication Decal
	390 590702	1	Rewind Starter (NOTE: This engine could have been built with 590739 starter. Refer to the design of the rope pulley strength ribs for part identification. Individual starter parts do not interchange. Refer to service bulletin 116).
	416 36085	1	Spark Arrestor Kit (Incl. 417)(Optional)
	417 650760	1	Screw, 8-32 x 3/8" (Optional)