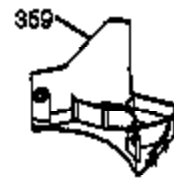
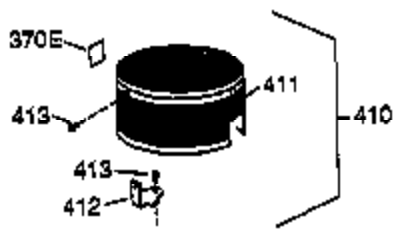
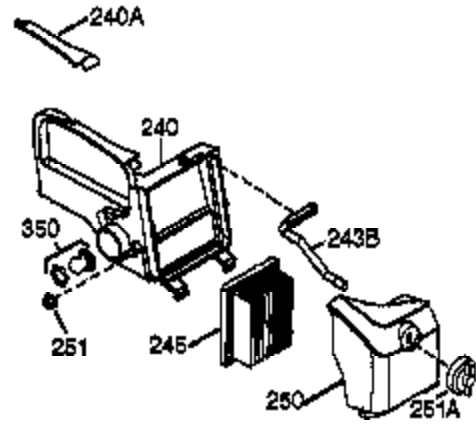
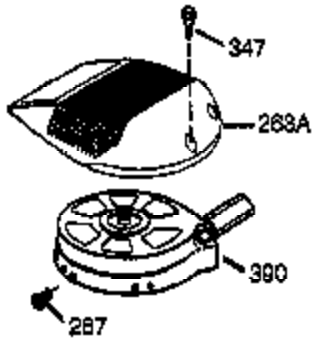
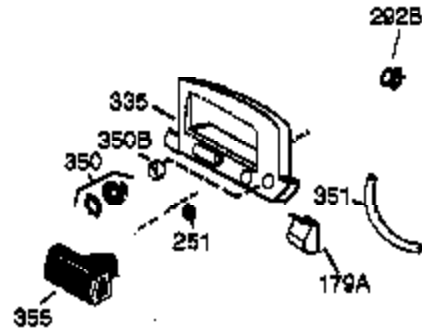


Ref #	Part Number	Qty	Description
	1 36177	1	Cylinder (Incl. 2,10,12,20 & 125)
	2 27652	2	Dowel Pin
	6 36059	1	Breather Element
	9 590568	3	Screw, 10-24 x 3/4"
	10 36002	1	Breather Valve Body
	11 36003	1	Check Valve
	12 32447	1	Breather Tube
12C	36005A	1	* Breather Cover & Gasket
	14 28277	1	Flat Washer
	15 36006	1	Governor Rod (Machined)
	16 36008	1	Governor Lever
	17 31335	1	Governor Lever Clamp
	18 651018	1	Screw, Torx T-15, 8-32 x 19/64"
	19 36103	1	Governor Spring
	20 36010	1	Oil Seal
	25 36091A	1	Blower Housing Baffle Ass'y.(Incl.195)
	26 650802	3	Screw, 1/4-20 x 5/8"
	30 36178	1	Crankshaft Ass'y.
	40 40004	1	Piston,Pin, Ring Set (Std.)
	40 40005	1	Piston,Pin, Ring Set (.010 OS)
	41 36070	1	Piston & Pin Ass'y.(Std.) (Incl. 43)
	41 36071	1	Piston & Pin Ass'y.(.010 OS)(Incl.43)
	42 40006	1	Ring Set (Std.)
	42 40007	1	Ring Set (.010 OS)
	43 20381	2	Piston Pin Retaining Ring
	45 36023A	1	Connecting Rod Ass'y. (Incl. 46)
	46 32610A	2	Connecting Rod Bolt
	48 36030	2	Valve Lifter
	50 36031A	1	Camshaft (MCR)
	52 29914	1	Oil Pump Ass'y.
	69 36032A	1	* Mounting Flange Gasket
	70 36194A	1	Mounting Flange (Incl. 72 thru 85)
	72 36083	1	Oil Drain Plug
	75 36010	1	Oil Seal
	80 30574A	1	Governor Shaft
	81 30590A	1	Washer
	82 30591	1	Governor Gear Ass'y. (Incl. 81)
	83 36057	1	Governor Spool
	85 36034	1	Idler Gear
	86 650924	7	Screw, 1/4-20 x 1-9/16"
	89 611154	1	Flywheel Key
	90 611155	1	Flywheel
	91 611156	1	Flywheel Fan
	92 650815	1	Belleville Washer
	93 650816	1	Flywheel Nut
	100 34443B	1	Solid State Ignition
	101 610118	1	Spark Plug Cover
	103 651007	2	Screw, Torx T-15, 10-24 x 15/16"
	110 36054	1	Ground Wire
110B	36230	1	Ground Wire
	119 36061	1	* Cylinder Head Gasket
	120 36187	1	Cylinder Head
	125 36471	1	Exhaust Valve (Std.) (Incl. 151)
	125 36472	1	Exhaust Valve (1/32" OS)
	126 29314B	1	Intake Valve (Std.) (Incl. 151)
	126 29315C	1	Intake Valve (1/32" OS)
	130 6021A	7	Screw, 5/16-18 x 1-1/2"
	135 35395	1	Resistor Spark Plug (RJ19LM)

Ref #	Part Number	Qty	Description
150	31672	2	Valve Spring
151A	40016	1	Intake Valve Seal
151	31673	2	Lower Valve Spring Cap
152	37075	1	"O"-Ring
169	27234A	1	* Valve Spring Box Gasket
172	32755	1	Valve Spring Box Cover
174	30200	2	Screw, 10-24 x 9/16"
177	650925A	2	Carburetor Mounting Stud
184	36183	1	* Carburetor Gasket
186	36009	1	Governor Link
187A	37136	1	Air Baffle
190	36013	1	Brake Lever Ass'y.
191A	36012	1	Brake Control Lever
192	36016	1	Brake Control Lever Link
193	36015	1	Brake Spring
194	36014	2	Retaining Ring
195	610973	1	Terminal Ass'y.
198	36017	1	Brake Control Lever Spring
199	36018	2	Brake Lever Bushing
202	36482	1	Compression Spring
203	31342	1	Compression Spring
204	651029	1	Screw, 5-40 x 7/16"
205	651030	1	Screw, Torx T-10, 6-32 x 17/32"
206	610973	1	Terminal Ass'y.
210	27793	1	Conduit Clip
211	28942	1	Screw, 10-32 x 3/8"
239	36048	1	* Carburetor to Air Cleaner Gasket
240	36044B	1	Air Cleaner Body (Incl. 239,299A,326, 350)
243	650899	1	Screw, 10-32 x 2-3/32"
245A	36102	1	Air Cleaner Filter
245	36046	1	Air Cleaner Filter
250	36047	1	Air Cleaner Cover
251	650928	2	Lock Nut 1/4-20
255	36105	1	Control Plate
256	650983	2	Screw, 8-32 x 21/64"
260	36038	1	Blower Housing
261	650929	3	Screw, 1/4-20 x 11/16"
262	650737	1	Screw, 1/4-20 x 1-1/2"
263	36080	1	Recoil Ring
275	36107	1	Muffler
276	36043	1	Locking Plate
277	650927	2	Screw, 5/6-18 x 2-11/32"
285	34449A	1	Starter Cup
287	650926	2	Screw, 8-32 x 21/64"
290	34357	1	Fuel Line
292	26460	2	Fuel Line Clamp
299A	651022	1	Multi-Thread "U" Type Nut & Screw Kit
300	36066	1	Fuel Tank (Incl. 301)
301	36246	1	Fuel Cap
305	36063	1	Oil Fill Tube
307	35499	1	"O" Ring
308	36040	1	Fill Tube Clip
310	36064	1	Dipstick
324	33177	1	Terminal
326	450237	1	Plug
346A	28763	2	Screw, 10-32 x 35/64"
350	36045	1	Primer
370A	36261	1	Lubrication Decal

Ref #	Part Number	Qty	Description
370K	36695	1	Starter Decal
370C	37199	1	Primer Decal
380	640020	1	Carburetor (Incl. 239)
390	590694	1	Rewind Starter (NOTE: This engine could have been built with 590737 starter).
400	36062C	1	* Gasket Set (Incl. items marked PK in notes) Incl. part #'s 27234A (1), 28833 (1), 36005A (1), 36032A (1), 36035 (1), 36048 (1), 36061 (1), 36183 (2), 696088 (1)
416	36085	1	Spark Arrestor Kit (Incl. 417)(Optional)
417	650760	1	Screw, 8-32 x 3/8" (Optional)
420	730225	1	4 Cycle Oil, SAE 30 (Quart)
514	36114	1	Brake Lock Out Device (Incl. 515) WARNING! Do not use the brake lock out device on engines required to meet CPSC safety standard for walkbehind power lawnmowers, Title 16, Part 1205 of the code of Federal Regulations or you will be in violation of the law.
515	650926	1	Screw, 8-32 x 21/64"



Ref #	Part Number	Qty	Description
152	37075	1	"O"-Ring
240	36044B	1	Air Cleaner Body (Incl. 239,299A,326, 350)
245	36046	1	Air Cleaner Filter
250	36047	1	Air Cleaner Cover
251	650928	2	Lock Nut 1/4-20
287	650926	2	Screw, 8-32 x 21/64"
350	36045	1	Primer
390	590694	1	Rewind Starter (NOTE: This engine could have been built with 590737 starter).