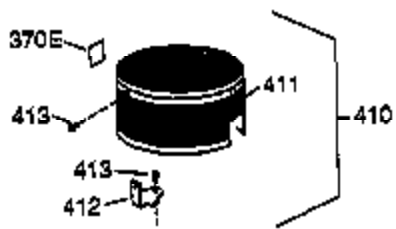
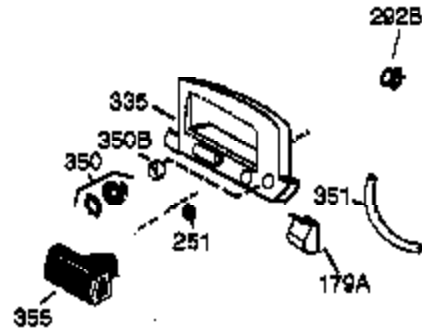




Ref #	Part Number	Qty	Description
	1 36146	1	Cylinder (Incl. 2,10,20 & 125)
	2 27652	2	Dowel Pin
	6 36059	1	Breather Element
	9 590568	3	Screw, 10-24 x 3/4"
	10 36002	1	Breather Valve Body
	11 36003	1	Check Valve
	12C 36005A	1	* Breather Cover & Gasket
	12 36001	1	Breather Tube
	14 28277	1	Flat Washer
	15 36006	1	Governor Rod (Machined)
	16 36008	1	Governor Lever
	17 31335	1	Governor Lever Clamp
	18 650548	1	Screw, 8-32 x 5/16"
	19 36082	1	Governor Spring
	20 36010	1	Oil Seal
	25 36091A	1	Blower Housing Baffle Ass'y.(Incl.195)
	26 650802	3	Screw, 1/4-20 x 5/8"
	30 36174	1	Crankshaft
	40 36073	1	Piston,Pin,Ring Set (Std.)
	40 36074	1	Piston,Pin,Ring Set (.010 OS)
	40 36075	1	Piston,Pin,Ring Set (.020 OS)
	41 36070	1	Piston & Pin Ass'y.(Std.) (Incl. 43)
	41 36071	1	Piston & Pin Ass'y.(.010 OS)(Incl.43)
	41 36072	1	Piston & Pin Ass'y.(.020 OS)(Incl.43)
	42 36076	1	Ring Set (Std.)
	42 36077	1	Ring Set (.010 OS)
	42 36078	1	Ring Set (.020 OS)
	43 20381	2	Piston Pin Retaining Ring
	45 36023A	1	Connecting Rod Ass'y. (Incl. 46)
	46 32610A	2	Connecting Rod Bolt
	48 36030	2	Valve Lifter
	50 36031	1	Camshaft (MCR)
	52 29914	1	Oil Pump Ass'y.
	69 36032A	1	* Mounting Flange Gasket
	70 36151	1	Mounting Flange (Incl. 72 thru 85)
	72A 28483	1	Oil Drain Plug
	72 36083	1	Oil Drain Plug
	75 36010	1	Oil Seal
	80 30574A	1	Governor Shaft
	81 30590A	1	Washer
	82 30591	1	Governor Gear Ass'y. (Incl.81)
	83 36057	1	Governor Spool
	85 36034	1	Idler Gear
	86 650924	7	Screw, 1/4-20 x 1-9/16"
	89 611154	1	Flywheel Key
	90 611197	1	Flywheel
	92 650815	1	Belleville Washer
	93 650816	1	Flywheel Nut
	100 34443A	1	Solid State Ignition
	101 610118	1	Spark Plug Cover
	103 651007	2	Screw, Torx T-15, 10-24 x 15/16"
	110A 36097	1	Ground Wire
	110 36230	1	Ground Wire
	110C 36099	1	Ground Wire
	115 650518	1	Lock Washer
	119 36061	1	* Cylinder Head Gasket
	120 36120A	1	Cylinder Head
	125 36471	1	Exhaust Valve (Std.) (Incl. 151)

Ref #	Part Number	Qty	Description
125	36472	1	Exhaust Valve (1/32" OS)
126	29314B	1	Intake Valve (Std.) (Incl. 151)
126	29315C	1	Intake Valve (1/32" OS)
130	6021A	7	Screw, 5/16-18 x 1-1/2"
135	35395	1	Resistor Spark Plug (RJ19LM)
150	31672	2	Valve Spring
151	31673	2	Lower Valve Spring Cap
151A	40016	1	Intake Valve Seal
169	27234A	1	* Valve Cover Gasket
172	32755	1	Valve Cover
174	30200	2	Screw, 10-24 x 9/16"
177	650925	2	Carburetor Mounting Stud
186	36009	1	Governor Link
187B	36035	1	* Carburetor Gasket/Air Baffle
195	610973	1	Terminal Ass'y.
202	36482	1	Compression Spring
203	31342	1	Compression Spring
204	650549	1	Screw, 5-40 x 7/16"
205	650777	1	Screw, 6-32 x 21/32"
210	27793	1	Conduit Clip
211	28942	1	Screw, 10-32 x 3/8"
239	36048	1	* Carburetor to Air Cleaner Gasket
240	36044A	1	Air Cleaner Body (Incl.239,299 & 350)
243	650899	1	Screw, 10-32 x 2-3/32"
245	36046	1	Air Cleaner Filter
250	36047	1	Air Cleaner Cover
251	650928	2	Lock Nut 1/4-20
255	36104	1	Control Plate
256	650983	2	Screw, 8-32 x 21/64"
260	36101	1	Blower Housing
261	650929	1	Screw, 1/4-20 x 11/16"
262	650737	3	Screw, 1/4-20 x 1-1/2"
263	36108	1	Recoil Ring
275	36107	1	Muffler
276	36043	1	Locking Plate
277	650927	2	Screw, 5/6-18 x 2-11/32"
285	34449A	1	Starter Cup
287	650926	2	Screw, 8-32 x 21/64"
290	34357	1	Fuel Line
292	26460	2	Fuel Line Clamp
299	650900	1	"U" Type Nut Clip
300	36066	1	Fuel Tank (Incl. 301)
301	36246	1	Fuel Cap
305	36063	1	Oil Fill Tube
307	35499	1	"O" Ring
308	36040	1	Fill Tube Clip
310	36064	1	Dipstick
314	650767	2	Screw, 8-32 x 27/64"
315	36095	1	Alternator Coil
322	35013	1	Connector Body
324	33177	1	Terminal
346A	28763	2	Screw, 10-32 x 35/64"
350	36045	1	Primer
361B	29216	3	Lock Nut
370K	36695	1	Starter Decal
370A	36261	1	Lubrication Decal
380	632671	1	Carburetor (Incl. 187B & 239)

Ref #	Part Number	Qty	Description
390	590732	1	Rewind Starter (NOTE: This engine could have been built with 590738 starter. Refer to the design of the rope pulley strength ribs for part identification. Individual starter parts do not interchange. Refer to service bulletin 116).
395	36123	1	Electric Starter Motor (12 Volt)
400	36062B	1	* Gasket Set (Incl. items marked PK in notes). Incl. part #'s 27234A (1), 36005A (1), 36032A (1), 36035 (1), 36048 (1), 36061 (1)
416	36085	1	Spark Arrestor Kit (Incl. 417)(Optional)
417	650760	1	Screw, 8-32 x 3/8" (Optional)
420	730225	1	4 Cycle Oil, SAE 30 (Quart)



Ref #	Part Number	Qty	Description
187B	36035	1	* Carburetor Gasket/Air Baffle
240	36044A	1	Air Cleaner Body (Incl.239,299 & 350)
245	36046	1	Air Cleaner Filter
250	36047	1	Air Cleaner Cover
251	650928	2	Lock Nut 1/4-20
287	650926	2	Screw, 8-32 x 21/64"
350	36045	1	Primer
390	590732	1	Rewind Starter (NOTE: This engine could have been built with 590738 starter. Refer to the design of the rope pulley strength ribs for part identification. Individual starter parts do not interchange. Refer to service bulletin 116).