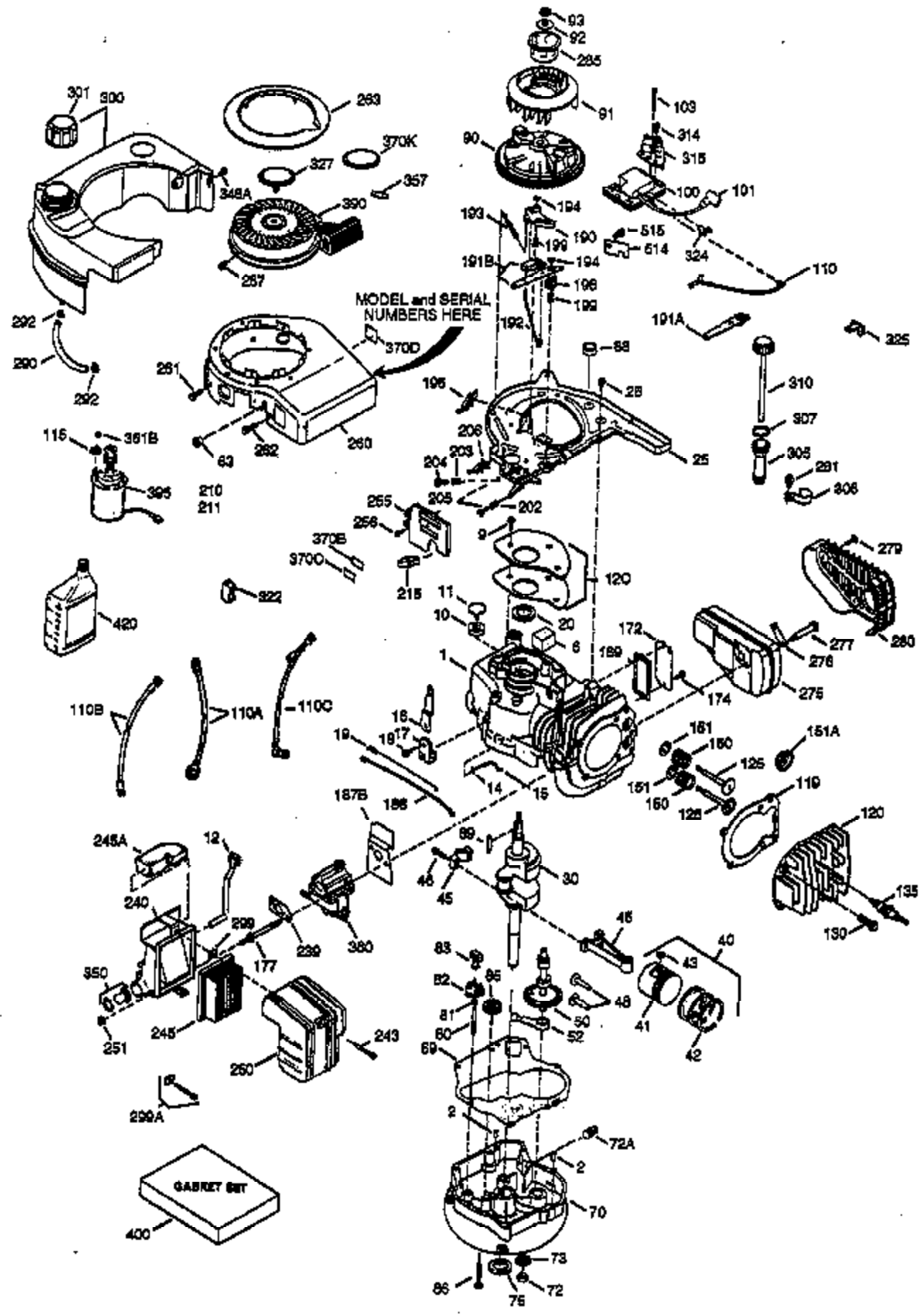


ILLUSTRATION SHOWS TYPICAL PARTS ONLY. ORDER BY PART NUMBER. PARTS NOT LISTED ARE SUPPLIED BY OEM.

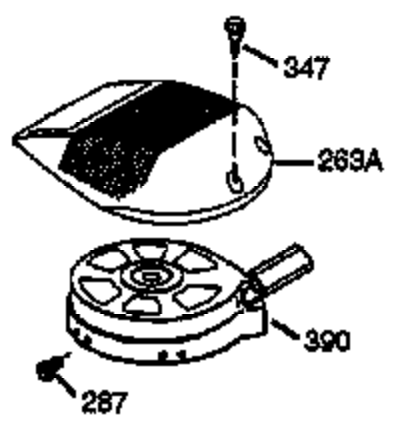
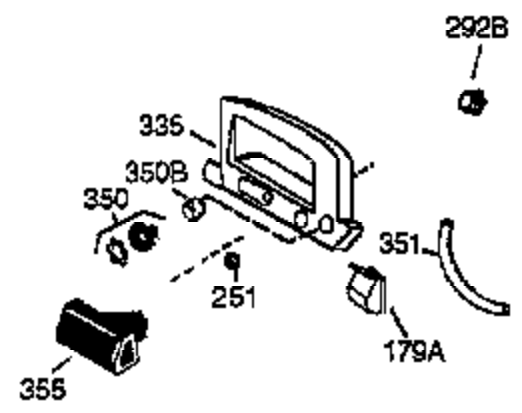
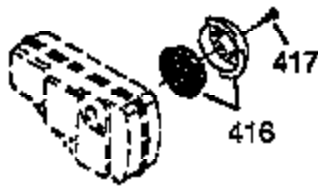


| Ref # | Part Number | Qty | Description                             |
|-------|-------------|-----|---|
| 1     | 36125       | 1   | Cylinder (Incl. 2, 10, & 20)            |
| 2     | 27652       | 2   | Dowel Pin                               |
| 6     | 36059       | 1   | Breather Element                        |
| 9     | 650836      | 3   | Screw, 10-24 x 1/2"                     |
| 10    | 36002       | 1   | Breather Valve Body                     |
| 11    | 36003       | 1   | Check Valve                             |
| 12    | 36001       | 1   | Breather Tube                           |
| 12C   | 36005A      | 1   | * Breather Cover & Gasket               |
| 14    | 28277       | 1   | Flat Washer                             |
| 15    | 36006       | 1   | Governor Rod (Machined)                 |
| 16    | 36008       | 1   | Governor Lever                          |
| 17    | 31335       | 1   | Governor Lever Clamp                    |
| 18    | 650548      | 1   | Screw, 8-32 x 5/16"                     |
| 19    | 36103       | 1   | Governor Spring                         |
| 20    | 36010       | 1   | Oil Seal                                |
| 25    | 36089       | 1   | Blower Housing Baffle Ass'y.(Incl.195 ) |
| 26    | 650802      | 3   | Screw, 1/4-20 x 5/8"                    |
| 30    | 36106       | 1   | Crankshaft Ass'y.                       |
| 40    | 36073       | 1   | Piston,Pin, Ring Set (Std.)             |
| 40    | 36074       | 1   | Piston,Pin, Ring Set (.010 OS)          |
| 40    | 36075       | 1   | Piston,Pin, Ring Set (.020 OS)          |
| 41    | 36070       | 1   | Piston & Pin Ass'y.(Std.) (Incl. 43)    |
| 41    | 36071       | 1   | Piston & Pin Ass'y.(.010 OS)(Incl.43)   |
| 41    | 36072       | 1   | Piston & Pin Ass'y.(.020 OS)(Incl.43)   |
| 42    | 36076       | 1   | Ring Set (Std.)                         |
| 42    | 36077       | 1   | Ring Set (.010 OS)                      |
| 42    | 36078       | 1   | Ring Set (.020 OS)                      |
| 43    | 20381       | 2   | Piston Pin Retaining Ring               |
| 45    | 36023A      | 1   | Connecting Rod Ass'y. (Incl. 46)        |
| 46    | 32610A      | 2   | Connecting Rod Bolt                     |
| 48    | 36030       | 2   | Valve Lifter                            |
| 50    | 36031       | 1   | Camshaft (MCR)                          |
| 52    | 29914       | 1   | Oil Pump Ass'y.                         |
| 69    | 36032       | 1   | * Mounting Flange Gasket                |
| 70    | 36033A      | 1   | Mounting Flange (Incl. 72 thru 85)      |
| 72    | 36083       | 1   | Oil Drain Plug                          |
| 75    | 36010       | 1   | Oil Seal                                |
| 80    | 30574A      | 1   | Governor Shaft                          |
| 81    | 30590A      | 1   | Washer                                  |
| 82    | 30591       | 1   | Governor Gear Ass'y. (Incl.81)          |
| 83    | 36057       | 1   | Governor Spool                          |
| 85    | 36034       | 1   | Idle Gear                               |
| 86    | 650924      | 7   | Screw, 1/4-20 x 1-9/16"                 |
| 89    | 611154      | 1   | Flywheel Key                            |
| 90    | 611155      | 1   | Flywheel                                |
| 91    | 611156      | 1   | Flywheel Fan                            |
| 92    | 650815      | 1   | Belleville Washer                       |
| 93    | 650816      | 1   | Flywheel Nut                            |
| 100   | 34443A      | 1   | Solid State Ignition                    |
| 101   | 610118      | 1   | Spark Plug Cover                        |
| 103   | 650814      | 2   | Screw, Torx T-15, 10-24 x 1"            |
| 110   | 36054       | 1   | Ground Wire                             |
| 119   | 36119       | 1   | * Cylinder Head Gasket                  |
| 120   | 36120       | 1   | Cylinder Head                           |
| 125   | 36471       | 1   | Exhaust Valve (Std.) (Incl. 151)        |
| 125   | 36472       | 1   | Exhaust Valve (1/32" OS)                |
| 126   | 29314B      | 1   | Intake Valve (Std.) (Incl. 151)         |
| 126   | 29315C      | 1   | Intake Valve (1/32" OS)                 |

| Ref # | Part Number | Qty | Description   |
|-------|-------------|-----|---|
| 130   | 6021A       | 7   | Screw, 5/16-18 x 1-1/2"   |
| 135   | 35395       | 1   | Resistor Spark Plug (RJ19LM)  |
| 150   | 31672       | 2   | Valve Spring  |
| 151   | 31673       | 2   | Lower Valve Spring Cap  |
| 169   | 27234A      | 1   | * Valve Spring Box Gasket   |
| 172   | 32755       | 1   | Valve Spring Box Cover  |
| 174   | 30200       | 2   | Screw, 10-24 x 9/16"  |
| 177   | 650925      | 2   | Carburetor Mounting Stud  |
| 186   | 36009       | 1   | Governor Link   |
| 187   | 36035       | 1   | * Carburetor Mounting Spacer  |
| 190   | 36013       | 1   | Brake Lever Ass'y.  |
| 191B  | 36012       | 1   | Brake Control Lever   |
| 192   | 36016       | 1   | Brake Control Lever Link  |
| 193   | 36015       | 1   | Brake Spring  |
| 194   | 36014       | 2   | Retaining Ring  |
| 195   | 610973      | 1   | Terminal Ass'y.   |
| 198   | 36017       | 1   | Brake Control Lever Spring  |
| 199   | 36018       | 2   | Brake Lever Bushing   |
| 203   | 31342       | 1   | Compression Spring  |
| 204   | 650549      | 1   | Screw, 5-40 x 7/16"   |
| 239   | 36048       | 1   | * Carburetor to Air Cleaner Gasket  |
| 240   | 36044A      | 1   | Air Cleaner Body (Incl.239,299 & 350)   |
| 243   | 650899      | 1   | Screw, 10-32 x 2-3/32"  |
| 245   | 36046       | 1   | Air Cleaner Filter  |
| 245A  | 36102       | 1   | Air Cleaner Filter  |
| 250   | 36427       | 1   | Air Cleaner Cover   |
| 251   | 650928      | 2   | Lock Nut 1/4-20   |
| 255   | 36088       | 1   | Control Plate   |
| 256   | 650983      | 2   | Screw, 8-32 x 21/64"  |
| 260   | 36425       | 1   | Blower Housing  |
| 261   | 650929      | 3   | Screw, 1/4-20 x 11/16"  |
| 262   | 650737      | 1   | Screw, 1/4-20 x 1-1/2"  |
| 275   | 36107       | 1   | Muffler Ass'y.  |
| 276   | 36043       | 1   | Locking Plate   |
| 277   | 650927      | 2   | Screw, 5/6-18 x 2-11/32"  |
| 279   | 650956      | 3   | Screw, Torx T-25, 12-24 x 49/64"  |
| 280   | 36090       | 1   | Heat Shield   |
| 285   | 34449       | 1   | Starter Cup   |
| 287   | 650926      | 2   | Screw, 8-32 x 21/64"  |
| 290   | 34357       | 1   | Fuel Line   |
| 292   | 26460       | 2   | Fuel Line Clamp   |
| 299   | 650900      | 1   | "U" Type Nut Clip   |
| 300   | 36066       | 1   | Fuel Tank (Incl. 301)   |
| 301   | 35355       | 1   | Fuel Cap Ass'y.   |
| 305   | 36063       | 1   | Oil Fill Tube   |
| 307   | 35499       | 1   | "O" Ring  |
| 308   | 36040       | 1   | Fill Tube Clip  |
| 310   | 36064       | 1   | Dipstick  |
| 346A  | 28763       | 2   | Screw, 10-32 x 35/64"   |
| 350   | 36045       | 1   | Primer  |
| 357   | 36412       | 1   | Rope Retainer   |
| 370   | 36261       | 1   | Instruction Decal   |
| 380   | 632671      | 1   | Carburetor (Incl. 187 & 239)  |
| 390   | 590702      | 1   | Rewind Starter (NOTE: This engine could have been built with 590637 starter. Refer to the design of the air intake louvers for part identification. Individual starter parts do not interchange.) |

| Ref # | Part Number | Qty | Description   |
|-------|-------------|-----|---|
| 400   | 36121       | 1   | * Gasket Set (Incl. items marked PK i n notes). Incl. part #'s 27234A (1), 36005A (1), 36032 (1), 36035 (1), 36048 (1), 36119 (1) |
| 420   | 730225      | 1   | 4 Cycle Oil, SAE 30 (Quart)   |

ILLUSTRATION SHOWS TYPICAL PARTS ONLY. ORDER BY PART NUMBER. PARTS NOT LISTED ARE SUPPLIED BY OEM.



| Ref # | Part Number | Qty | Description   |
|-------|-------------|-----|---|
| 187   | 36035       | 1   | * Carburetor Mounting Spacer  |
| 251   | 650928      | 2   | Lock Nut 1/4-20   |
| 263A  | 36426       | 1   | Starter Grill   |
| 287   | 650926      | 2   | Screw, 8-32 x 21/64"  |
| 347   | 650898      | 1   | Screw, 10-32 x 27/32"   |
| 350   | 36045       | 1   | Primer  |
| 370   | 36261       | 1   | Instruction Decal   |
| 390   | 590702      | 1   | Rewind Starter (NOTE: This engine could have been built with 590637 starter. Refer to the design of the air intake louvers for part identification. Individual starter parts do not interchange.) |