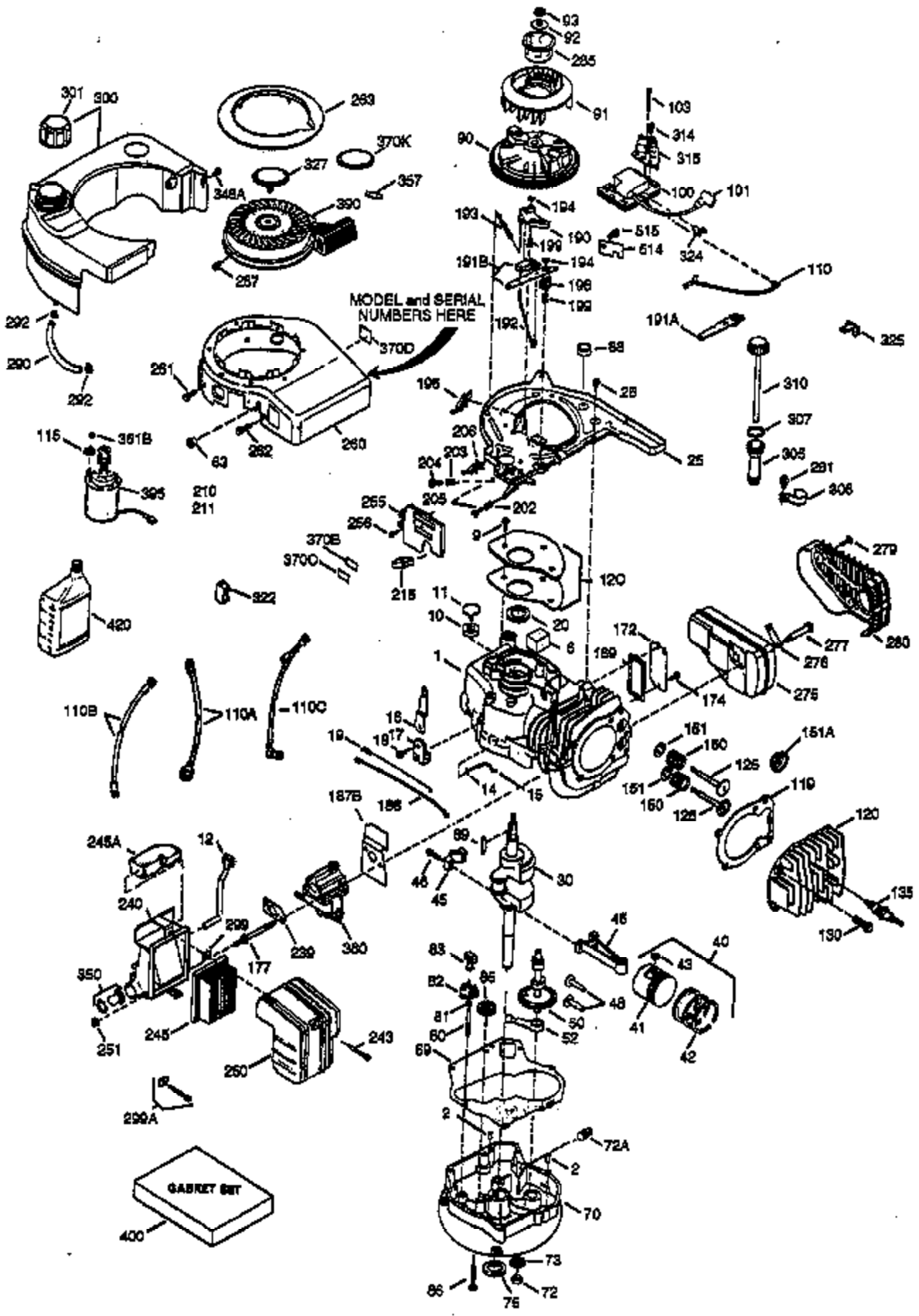


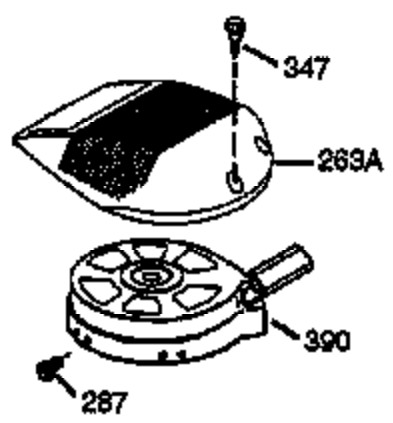
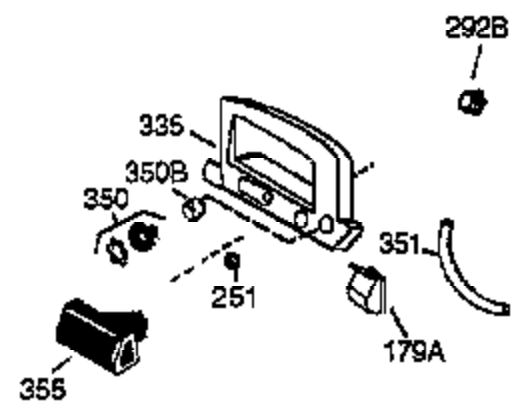
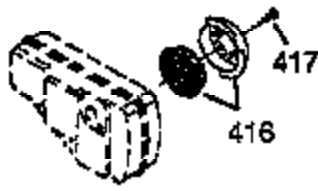
ILLUSTRATION SHOWS TYPICAL PARTS ONLY. ORDER BY PART NUMBER. PARTS NOT LISTED ARE SUPPLIED BY OEM.



| Ref # | Part Number | Qty | Description |
|-------|-------------|-----|---|
| | 1 36146 | 1 | Cylinder (Incl. 2,10,20 & 125) |
| | 2 27652 | 2 | Dowel Pin |
| | 6 36059 | 1 | Breather Element |
| | 9 590568 | 3 | Screw, 10-24 x 3/4" |
| | 10 36002 | 1 | Breather Valve Body |
| | 11 36003 | 1 | Check Valve |
| | 12C 36005A | 1 | * Breather Cover & Gasket |
| | 12 36001 | 1 | Breather Tube |
| | 14 28277 | 1 | Flat Washer |
| | 15 36006 | 1 | Governor Rod (Machined) |
| | 16 36008 | 1 | Governor Lever |
| | 17 31335 | 1 | Governor Lever Clamp |
| | 18 650548 | 1 | Screw, 8-32 x 5/16" |
| | 19 36082 | 1 | Governor Spring |
| | 20 36010 | 1 | Oil Seal |
| | 25 36091A | 1 | Blower Housing Baffle Ass'y.(Incl.195) |
| | 26 650802 | 3 | Screw, 1/4-20 x 5/8" |
| | 30 36124 | 1 | Crankshaft |
| | 40 40004 | 1 | Piston,Pin,Ring Set (Std.) |
| | 40 40005 | 1 | Piston,Pin,Ring Set (.010 OS) |
| | 41 36070 | 1 | Piston & Pin Ass'y.(Std.) (Incl. 43) |
| | 41 36071 | 1 | Piston & Pin Ass'y.(.010 OS)(Incl.43) |
| | 42 40006 | 1 | Ring Set (Std.) |
| | 42 40007 | 1 | Ring Set (.010 OS) |
| | 43 20381 | 2 | Piston Pin Retaining Ring |
| | 45 36023A | 1 | Connecting Rod Ass'y. (Incl. 46) |
| | 46 32610A | 2 | Connecting Rod Bolt |
| | 48 36030 | 2 | Valve Lifter |
| | 50 36031 | 1 | Camshaft (MCR) |
| | 52 29914 | 1 | Oil Pump Ass'y. |
| | 69 36032A | 1 | * Mounting Flange Gasket |
| | 70 36151 | 1 | Mounting Flange (Incl. 72 thru 85) |
| | 72 36083 | 1 | Oil Drain Plug |
| | 72A 28483 | 1 | Oil Drain Plug |
| | 75 36010 | 1 | Oil Seal |
| | 80 30574A | 1 | Governor Shaft |
| | 81 30590A | 1 | Washer |
| | 82 30591 | 1 | Governor Gear Ass'y. (Incl.81) |
| | 83 36057 | 1 | Governor Spool |
| | 85 36034 | 1 | Idler Gear |
| | 86 650924 | 7 | Screw, 1/4-20 x 1-9/16" |
| | 89 611154 | 1 | Flywheel Key |
| | 90 611170 | 1 | Flywheel |
| | 92 650815 | 1 | Belleville Washer |
| | 93 650816 | 1 | Flywheel Nut |
| | 100 34443A | 1 | Solid State Ignition |
| | 101 610118 | 1 | Spark Plug Cover |
| | 103 651007 | 2 | Screw, Torx T-15, 10-24 x 15/16" |
| | 110 36230 | 1 | Ground Wire |
| | 119 36061 | 1 | * Cylinder Head Gasket |
| | 120 36120A | 1 | Cylinder Head |
| | 125 36471 | 1 | Exhaust Valve (Std.) (Incl. 151) |
| | 125 36472 | 1 | Exhaust Valve (1/32" OS) |
| | 126 29314B | 1 | Intake Valve (Std.) (Incl. 151) |
| | 126 29315C | 1 | Intake Valve (1/32" OS) |
| | 130 6021A | 7 | Screw, 5/16-18 x 1-1/2" |
| | 135 35395 | 1 | Resistor Spark Plug (RJ19LM) |
| | 150 31672 | 2 | Valve Spring |

| Ref # | Part Number | Qty | Description |
|-------|-------------|-----|---|
| 151 | 31673 | 2 | Lower Valve Spring Cap |
| 151A | 40008 | 1 | Intake Valve Seal |
| 169 | 27234A | 1 | * Valve Spring Box Gasket |
| 172 | 32755 | 1 | Valve Spring Box Cover |
| 174 | 30200 | 2 | Screw, 10-24 x 9/16" |
| 177 | 650925 | 2 | Carburetor Mounting Stud |
| 186 | 36009 | 1 | Governor Link |
| 187B | 36035 | 1 | * Carburetor Gasket/Air Baffle |
| 195 | 610973 | 1 | Terminal |
| 202 | 36482 | 1 | Compression Spring |
| 203 | 31342 | 1 | Compression Spring |
| 204 | 650549 | 1 | Screw, 5-40 x 7/16" |
| 205 | 650989 | 1 | Screw, 6-32 x 17/32" |
| 210 | 27793 | 1 | Conduit Clip |
| 211 | 28942 | 1 | Screw, 10-32 x 3/8" |
| 239 | 36048 | 1 | * Carburetor to Air Cleaner Gasket |
| 240 | 36044A | 1 | Air Cleaner Body (Incl.239,299 & 350) |
| 243 | 650899 | 1 | Screw, 10-32 x 2-3/32" |
| 245 | 36046 | 1 | Air Cleaner Filter |
| 250 | 36047 | 1 | Air Cleaner Cover |
| 251 | 650928 | 2 | Lock Nut 1/4-20 |
| 255 | 36104 | 1 | Control Plate |
| 256 | 650983 | 2 | Screw, 8-32 x 21/64" |
| 260 | 36038 | 1 | Blower Housing |
| 261 | 650737 | 3 | Screw, 1/4-20 x 1/2" |
| 262 | 650929 | 1 | Screw, 1/4-20 x 11/16" |
| 263 | 36108 | 1 | Recoil Ring |
| 275 | 36107 | 1 | Muffler Ass'y. |
| 276 | 36043 | 1 | Locking Plate |
| 277 | 650927 | 2 | Screw, 5/6-18 x 2-11/32" |
| 285 | 34449A | 1 | Starter Cup |
| 287 | 650926 | 2 | Screw, 8-32 x 21/64" |
| 290 | 34357 | 1 | Fuel Line |
| 292 | 26460 | 2 | Fuel Line Clamp |
| 299 | 650900 | 1 | "U" Type Nut Clip |
| 300 | 36066 | 1 | Fuel Tank (Incl. 301) |
| 301 | 36246 | 1 | Fuel Cap Ass'y. |
| 305 | 36063 | 1 | Oil Fill Tube |
| 307 | 35499 | 1 | "O" Ring |
| 308 | 36040 | 1 | Fill Tube Clip |
| 310 | 36064 | 1 | Dipstick |
| 346A | 28763 | 2 | Screw, 10-32 x 35/64" |
| 350 | 36045 | 1 | Primer |
| 370A | 36261 | 1 | Lubrication Decal |
| 370K | 36695 | 1 | Starter Decal |
| 380 | 640020 | 1 | Carburetor (Incl. 187B & 239) |
| 390 | 590732 | 1 | Rewind Starter (NOTE: This engine could have been built with 590738 starter. Refer to the design of the rope pulley strength ribs for part identification. Individual starter parts do not interchange. Refer to service bulletin 116.) |
| 400 | 36062B | 1 | * Gasket Set (Incl. items marked PK in notes). Incl. part #'s 27234A (1), 36005A (1), 36032A (1), 36035 (1), 36048 (1), 36061 (1) |
| 420 | 730225 | 1 | 4 Cycle Oil, SAE 30 (Quart) |

ILLUSTRATION SHOWS TYPICAL PARTS ONLY. ORDER BY PART NUMBER. PARTS NOT LISTED ARE SUPPLIED BY OEM.



| Ref # | Part Number | Qty | Description |
|-------|-------------|-----|---|
| 251 | 650928 | 2 | Lock Nut 1/4-20 |
| 287 | 650926 | 2 | Screw, 8-32 x 21/64" |
| 350 | 36045 | 1 | Primer |
| 370A | 36261 | 1 | Lubrication Decal |
| 390 | 590732 | 1 | Rewind Starter (NOTE: This engine could have been built with 590738 starter. Refer to the design of the rope pulley strength ribs for part identification. Individual starter parts do not interchange. Refer to service bulletin 116.) |
| 416 | 36085 | 1 | Spark Arrestor Kit (Incl. 417)(Optional) |
| 417 | 650760 | 1 | Screw, 8-32 x 3/8" (Optional) |