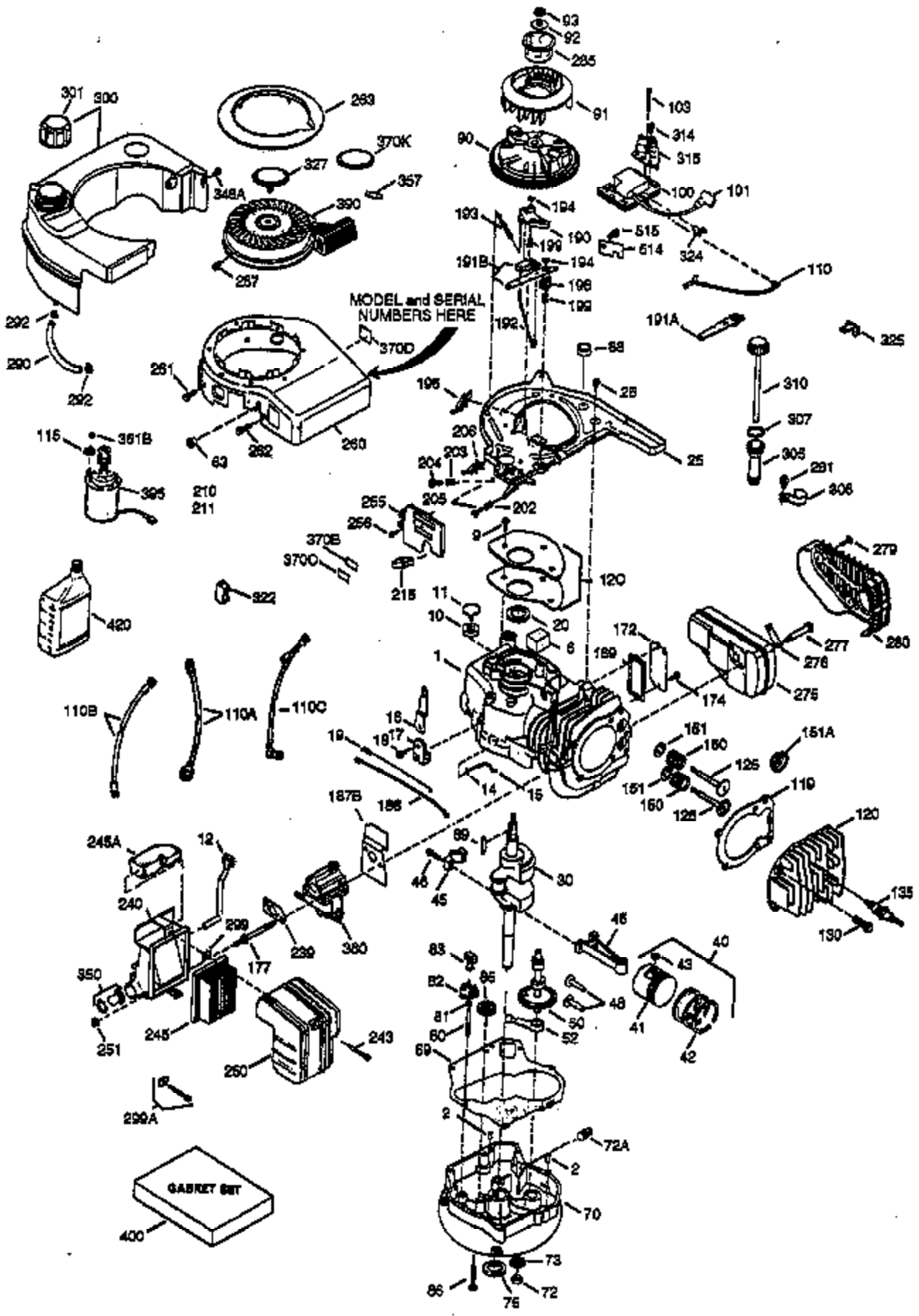


ILLUSTRATION SHOWS TYPICAL PARTS ONLY. ORDER BY PART NUMBER. PARTS NOT LISTED ARE SUPPLIED BY OEM.

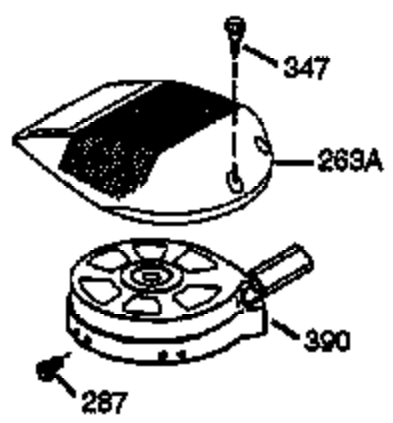
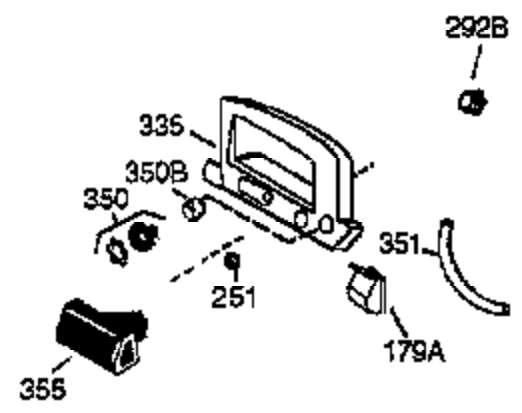
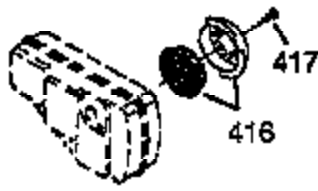


| Ref # | Part Number | Qty | Description                             |
|-------|-------------|-----|---|
| 1     | 36118       | 1   | Cylinder (Incl. 2,10,20 & 125)          |
| 2     | 27652       | 2   | Dowel Pin                               |
| 6     | 36059       | 1   | Breather Element                        |
| 9     | 590568      | 3   | Screw, 10-24 x 3/4"                     |
| 10    | 36002       | 1   | Breather Valve Body                     |
| 11    | 36003       | 1   | Check Valve                             |
| 12    | 36001       | 1   | Breather Tube                           |
| 12C   | 36005A      | 1   | * Breather Cover & Gasket               |
| 14    | 28277       | 1   | Flat Washer                             |
| 15    | 36006       | 1   | Governor Rod (Machined)                 |
| 16    | 36008       | 1   | Governor Lever                          |
| 17    | 31335       | 1   | Governor Lever Clamp                    |
| 18    | 650548      | 1   | Screw, 8-32 x 5/16"                     |
| 19    | 36103       | 1   | Governor Spring                         |
| 20    | 36010       | 1   | Oil Seal                                |
| 25    | 36081       | 1   | Blower Housing Baffle Ass'y.(Incl.195 ) |
| 26    | 650802      | 3   | Screw, 1/4-20 x 5/8"                    |
| 30    | 36109       | 1   | Crankshaft                              |
| 40    | 36073       | 1   | Piston,Pin,Ring Set (Std.)              |
| 40    | 36074       | 1   | Piston,Pin,Ring Set (.010 OS)           |
| 40    | 36075       | 1   | Piston,Pin,Ring Set (.020 OS)           |
| 41    | 36070       | 1   | Piston & Pin Ass'y.(Std.) (Incl. 43)    |
| 41    | 36071       | 1   | Piston & Pin Ass'y.(.010 OS)(Incl.43)   |
| 41    | 36072       | 1   | Piston & Pin Ass'y.(.020 OS)(Incl.43)   |
| 42    | 36076       | 1   | Ring Set (Std.)                         |
| 42    | 36077       | 1   | Ring Set (.010 OS)                      |
| 42    | 36078       | 1   | Ring Set (.020 OS)                      |
| 43    | 20381       | 2   | Piston Pin Retaining Ring               |
| 45    | 36023A      | 1   | Connecting Rod Ass'y. (Incl. 46)        |
| 46    | 32610A      | 2   | Connecting Rod Bolt                     |
| 48    | 36030       | 2   | Valve Lifter                            |
| 50    | 36031       | 1   | Camshaft (MCR)                          |
| 52    | 29914       | 1   | Oil Pump Ass'y.                         |
| 63    | 36100       | 1   | Grommet                                 |
| 69    | 36032A      | 1   | * Mounting Flange Gasket                |
| 70    | 36151       | 1   | Mounting Flange (Incl. 72 thru 85)      |
| 72    | 36083       | 1   | Oil Drain Plug                          |
| 75    | 36010       | 1   | Oil Seal                                |
| 80    | 30574A      | 1   | Governor Shaft                          |
| 81    | 30590A      | 1   | Washer                                  |
| 82    | 30591       | 1   | Governor Gear Ass'y. (Incl.81)          |
| 83    | 36057       | 1   | Governor Spool                          |
| 85    | 36034       | 1   | Idle Gear                               |
| 86    | 650924      | 7   | Screw, 1/4-20 x 1-9/16"                 |
| 89    | 611154      | 1   | Flywheel Key                            |
| 90    | 611171      | 1   | Flywheel                                |
| 91    | 611156      | 1   | Flywheel Fan                            |
| 92    | 650815      | 1   | Belleville Washer                       |
| 93    | 650816      | 1   | Flywheel Nut                            |
| 100   | 34443A      | 1   | Solid State Ignition                    |
| 101   | 610118      | 1   | Spark Plug Cover                        |
| 103   | 651007      | 2   | Screw, Torx T-15, 10-24 x 15/16"        |
| 110C  | 36097       | 1   | Ground Wire                             |
| 110D  | 36099       | 1   | Ground Wire                             |
| 110B  | 36098       | 1   | D.C. Starter Wire                       |
| 115   | 650518      | 1   | Lock Washer                             |
| 119   | 36119       | 1   | * Cylinder Head Gasket                  |
| 120   | 36120       | 1   | Cylinder Head                           |

| Ref # | Part Number | Qty | Description                           |
|-------|-------------|-----|---------------------------------------|
| 125   | 36471       | 1   | Exhaust Valve (Std.) (Incl. 151)      |
| 125   | 36472       | 1   | Exhaust Valve (1/32" OS)              |
| 126   | 29314B      | 1   | Intake Valve (Std.) (Incl. 151)       |
| 126   | 29315C      | 1   | Intake Valve (1/32" OS)               |
| 130   | 6021A       | 7   | Screw, 5/16-18 x 1-1/2"               |
| 135   | 35395       | 1   | Resistor Spark Plug (RJ19LM)          |
| 150   | 31672       | 2   | Valve Spring                          |
| 151A  | 40008       | 1   | Intake Valve Seal                     |
| 151   | 31673       | 2   | Lower Valve Spring Cap                |
| 169   | 27234A      | 1   | * Valve Spring Box Gasket             |
| 172   | 32755       | 1   | Valve Spring Box Cover                |
| 174   | 30200       | 2   | Screw, 10-24 x 9/16"                  |
| 177   | 650925      | 2   | Carburetor Mounting Stud              |
| 184   | 36035       | 1   | * Carburetor Mounting Spacer          |
| 186   | 36009       | 1   | Governor Link                         |
| 195   | 610973      | 1   | Terminal                              |
| 210   | 27793       | 1   | Conduit Clip                          |
| 211   | 28942       | 1   | Screw, 10-32 x 3/8"                   |
| 239   | 36048       | 1   | * Carburetor to Air Cleaner Gasket    |
| 240   | 36044A      | 1   | Air Cleaner Body (Incl.239,299 & 350) |
| 243   | 650899      | 1   | Screw, 10-32 x 2-3/32"                |
| 245   | 36046       | 1   | Air Cleaner Filter                    |
| 245A  | 36102       | 1   | Air Cleaner Filter                    |
| 250   | 36047       | 1   | Air Cleaner Cover                     |
| 251   | 650928      | 2   | Lock Nut 1/4-20                       |
| 255   | 36105       | 1   | Control Plate                         |
| 256   | 650983      | 2   | Screw, 8-32 x 21/64"                  |
| 260   | 36101       | 1   | Blower Housing                        |
| 261   | 650737      | 3   | Screw, 1/4-20 x 1/2"                  |
| 262   | 650929      | 1   | Screw, 1/4-20 x 11/16"                |
| 275   | 36107       | 1   | Muffler Ass'y.                        |
| 276   | 36043       | 1   | Locking Plate                         |
| 277   | 650927      | 2   | Screw, 5/6-18 x 2-11/32"              |
| 279   | 650956      | 3   | Screw, Torx T-25, 12-24 x 49/64"      |
| 280   | 36090       | 1   | Heat Shield                           |
| 285   | 34449A      | 1   | Starter Cup                           |
| 287   | 650926      | 2   | Screw, 8-32 x 21/64"                  |
| 290   | 34357       | 1   | Fuel Line                             |
| 292   | 26460       | 2   | Fuel Line Clamp                       |
| 299   | 650900      | 1   | "U" Type Nut Clip                     |
| 300   | 36066       | 1   | Fuel Tank (Incl. 301)                 |
| 301   | 36246       | 1   | Fuel Cap Ass'y.                       |
| 305   | 36063       | 1   | Oil Fill Tube                         |
| 307   | 35499       | 1   | "O" Ring                              |
| 308   | 36040       | 1   | Fill Tube Clip                        |
| 310   | 36064       | 1   | Dipstick                              |
| 314   | 650767      | 2   | Screw, 8-32 x 27/64"                  |
| 315   | 36095       | 1   | Alternator Coil                       |
| 322   | 35013       | 1   | Connector Body                        |
| 324   | 33177       | 1   | Terminal                              |
| 324   | 33177       | 1   | Terminal                              |
| 325   | 35249       | 1   | Spring Clip                           |
| 327   | 35392       | 1   | Starter Plug                          |
| 346A  | 28763       | 2   | Screw, 10-32 x 35/64"                 |
| 350   | 36045       | 1   | Primer                                |
| 361B  | 29216       | 3   | Lock Nut                              |
| 370A  | 36261       | 1   | Lubrication Decal                     |
| 380   | 632671      | 1   | Carburetor (Incl. 184 & 239)          |

| Ref # | Part Number | Qty | Description   |
|-------|-------------|-----|---|
| 390   | 590694      | 1   | Rewind Starter (NOTE: This engine could have been built with 590686 starter. Refer to the design of the air intake louvers for part identification. Individual starter parts do not interchange.) |
| 395   | 36086       | 1   | Electric Starter Motor (12 Volt)  |
| 400   | 36121A      | 1   | * Gasket Set (Incl. items marked PK i n notes). Incl. part #'s 27234A (1), 36005A (1), 36032A (1), 36035 (1), 36048 (1), 36119 (1)  |
| 420   | 730225      | 1   | 4 Cycle Oil, SAE 30 (Quart)   |

ILLUSTRATION SHOWS TYPICAL PARTS ONLY. ORDER BY PART NUMBER. PARTS NOT LISTED ARE SUPPLIED BY OEM.



| Ref # | Part Number | Qty | Description   |
|-------|-------------|-----|---|
| 110D  | 36099       | 1   | Ground Wire   |
| 184   | 36035       | 1   | * Carburetor Mounting Spacer  |
| 251   | 650928      | 2   | Lock Nut 1/4-20   |
| 287   | 650926      | 2   | Screw, 8-32 x 21/64"  |
| 350   | 36045       | 1   | Primer  |
| 370A  | 36261       | 1   | Lubrication Decal   |
| 390   | 590694      | 1   | Rewind Starter (NOTE: This engine could have been built with 590686 starter. Refer to the design of the air intake louvers for part identification. Individual starter parts do not interchange.) |