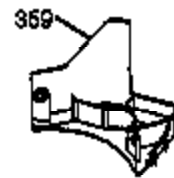
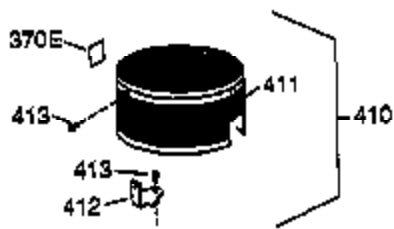
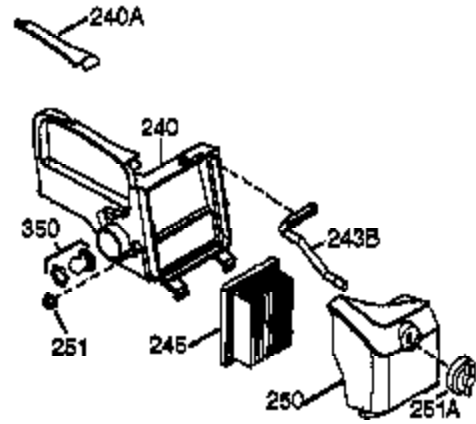
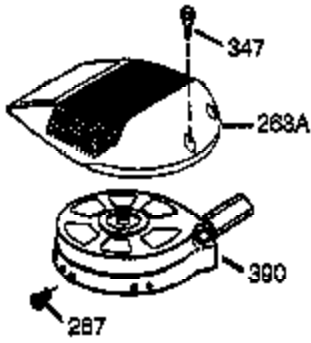
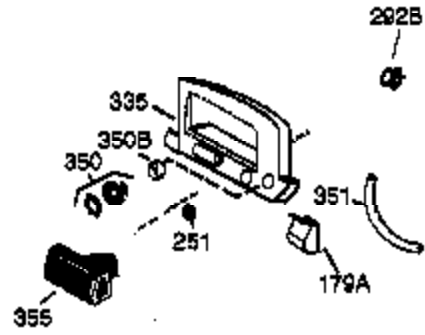


Ref #	Part Number	Qty	Description
1	36177	1	Cylinder (Incl. 2,10,12,20 & 125)
2	27652	2	Dowel Pin
6	36059	1	Breather Element
9	590568	3	Screw, 10-24 x 3/4"
10	36002	1	Breather Valve Body
11	36003	1	Check Valve
12C	36005A	1	* Breather Cover & Gasket
12	32447	1	Breather Tube
14	28277	1	Flat Washer
15	36006	1	Governor Rod (Machined)
16	36008	1	Governor Lever
17	31335	1	Governor Lever Clamp
18	651018	1	Screw, Torx T-15, 8-32 x 19/64"
19	36140	1	Governor Spring
20	36010	1	Oil Seal
25	36091A	1	Blower Housing Baffle Ass'y.(Incl.195)
26	650802	3	Screw, 1/4-20 x 5/8"
30	37004	1	Crankshaft
40	36073	1	Piston,Pin,Ring Set (Std.)
40	36074	1	Piston,Pin,Ring Set (.010 OS)
40	36075	1	Piston,Pin,Ring Set (.020 OS)
41	36070	1	Piston & Pin Ass'y.(Std.) (Incl. 43)
41	36071	1	Piston & Pin Ass'y.(.010 OS)(Incl.43)
41	36072	1	Piston & Pin Ass'y.(.020 OS)(Incl.43)
42	36076	1	Ring Set (Std.)
42	36077	1	Ring Set (.010 OS)
42	36078	1	Ring Set (.020 OS)
43	20381	2	Piston Pin Retaining Ring
45	36023A	1	Connecting Rod Ass'y. (Incl. 46)
46	32610A	2	Connecting Rod Bolt
48	36030	2	Valve Lifter
50	36031A	1	Camshaft (MCR)
52	29914	1	Oil Pump Ass'y.
69	36032A	1	* Mounting Flange Gasket
70	36194A	1	Mounting Flange (Incl. 72 thru 85)
72A	28483	1	Oil Drain Plug
72	36083	1	Oil Drain Plug
75	36010	1	Oil Seal
80	30574A	1	Governor Shaft
81	30590A	1	Washer
82	30591	1	Governor Gear Ass'y. (Incl.81)
83	36057	1	Governor Spool
85	36034	1	Idle Gear
86	650924	7	Screw, 1/4-20 x 1-9/16"
89	611154	1	Flywheel Key
90	611170	1	Flywheel
92	650815	1	Belleville Washer
93	650816	1	Flywheel Nut
100	34443A	1	Solid State Ignition
101	610118	1	Spark Plug Cover
103	651007	2	Screw, Torx T-15, 10-24 x 15/16"
110	36230	1	Ground Wire
110A	35589	1	Ground Wire
119	36061	1	* Cylinder Head Gasket
120	36120A	1	Cylinder Head
125	36471	1	Exhaust Valve (Std.) (Incl. 151)
125	36472	1	Exhaust Valve (1/32" OS)
126	29314B	1	Intake Valve (Std.) (Incl. 151)

Ref #	Part Number	Qty	Description
126	29315C	1	Intake Valve (1/32" OS)
130	6021A	7	Screw, 5/16-18 x 1-1/2"
135	35395	1	Resistor Spark Plug (RJ19LM)
150	31672	2	Valve Spring
151	31673	2	Lower Valve Spring Cap
151A	40016	1	Intake Valve Seal
152	37075	1	"O"-Ring
169	27234A	1	* Valve Spring Box Gasket
172	32755	1	Valve Spring Box Cover
174	30200	2	Screw, 10-24 x 9/16"
177	650925A	2	Carburetor Mounting Stud
186	36009	1	Governor Link
187B	36035	1	* Carburetor Gasket/Air Baffle
195	610973	1	Terminal
202	36482	1	Compression Spring
203	31342	1	Compression Spring
204	651029	1	Screw, Torx T-10, 5-40 x 7/16"
205	651030	1	Screw, Torx T-10, 6-32 x 17/32"
210	27793	1	Conduit Clip
211	28942	1	Screw, 10-32 x 3/8"
239	36048	1	* Carburetor to Air Cleaner Gasket
240	36044B	1	Air Cleaner Body (Incl.239,299 & 350)
243	650899	1	Screw, 10-32 x 2-3/32"
245A	36102	1	Air Cleaner Filter
245	36046	1	Air Cleaner Filter
250	36047	1	Air Cleaner Cover
251	650928	2	Lock Nut 1/4-20
255	36104	1	Control Plate
256	650983	2	Screw, 8-32 x 21/64"
260	36038	1	Blower Housing
261	650737	3	Screw, 1/4-20 x 1/2"
262	650929	1	Screw, 1/4-20 x 11/16"
263	36108	1	Recoil Ring
275	36107	1	Muffler
276	36043	1	Locking Plate
277	650927	2	Screw, 5/6-18 x 2-11/32"
279	650956	3	Screw, Torx T-25, 12-24 x 49/64"
280	36090	1	Heat Shield (Incl. 279)
285	34449A	1	Starter Cup
287	650926	2	Screw, 8-32 x 21/64"
290	34357	1	Fuel Line
292	26460	2	Fuel Line Clamp
299	650900	1	"U" Type Nut Clip
300	36066	1	Fuel Tank (Incl. 301)
301	36246	1	Fuel Cap
305	36063	1	Oil Fill Tube
307	35499	1	"O" Ring
308	36040	1	Fill Tube Clip
310	36064	1	Dipstick
324	33177	1	Terminal
346A	28763	2	Screw, 10-32 x 35/64"
350	36045	1	Primer
370K	36695	1	Starter Decal
370A	36261	1	Lubrication Decal
370C	36260	1	Primer Decal
380	632671A	1	Carburetor (Incl. 187B & 239)

Ref #	Part Number	Qty	Description
390	590694	1	Rewind Starter (NOTE: This engine could have been built with 590737 starter.
400	36062C	1	* Gasket Set (Incl. items marked PK in notes). Incl. part #'s 27234A (1), 28833 (1), 36005A (1), 36032A (1), 36035 (1), 36048 (1), 36061 (1), 36183 (2), 696088 (1)
416	36085	1	Spark Arrestor Kit (Incl. 417)(Optional)
417	650760	1	Screw, 8-32 x 3/8" (Optional)
420	730225	1	4 Cycle Oil, SAE 30 (Quart)



Ref #	Part Number	Qty	Description
152	37075	1	"O"-Ring
187B	36035	1	* Carburetor Gasket/Air Baffle
240	36044B	1	Air Cleaner Body (Incl.239,299 & 350)
245	36046	1	Air Cleaner Filter
250	36047	1	Air Cleaner Cover
251	650928	2	Lock Nut 1/4-20
287	650926	2	Screw, 8-32 x 21/64"
350	36045	1	Primer
390	590694	1	Rewind Starter (NOTE: This engine could have been built with 590737 starter.