

ILLUSTRATION SHOWS TYPICAL PARTS ONLY. ORDER BY PART NUMBER. PARTS NOT LISTED ARE SUPPLIED BY OEM.

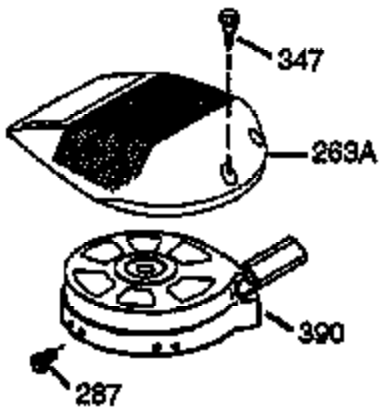
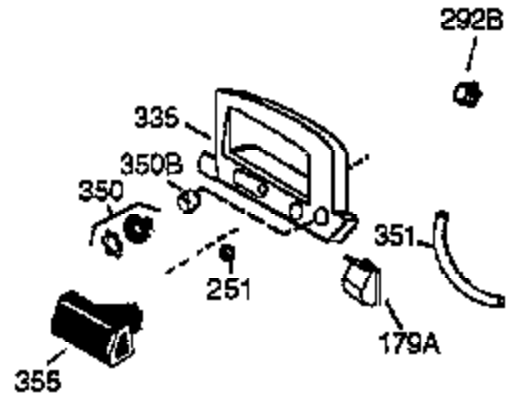


Ref #	Part Number	Qty	Description
1	36146	1	Cylinder (Incl. 2,10,20 & 125)
2	27652	2	Dowel Pin
6	36059	1	Breather Element
9	590568	3	Screw, 10-24 x 3/4"
10	36002	1	Breather Valve Body
11	36003	1	Check Valve
12	36001	1	Breather Tube
12C	36005A	1	* Breather Cover & Gasket
14	28277	1	Washer
15	36006	1	Governor Rod (Machined)
16	36008	1	Governor Lever
17	31335	1	Governor Lever Clamp
18	650548	1	Screw, 8-32 x 5/16"
19	36140	1	Governor Spring
20	36010	1	Oil Seal
25	36091A	1	Blower Housing Baffle (Incl.195)
26	650802	3	Screw, 1/4-20 x 5/8"
30	36170	1	Crankshaft
40	36073	1	Piston,Pin,Ring Set (Std.)
40	36074	1	Piston,Pin,Ring Set (.010 OS)
40	36075	1	Piston,Pin,Ring Set (.020 OS)
41	36070	1	Piston & Pin Ass'y.(Std.) (Incl. 43)
41	36071	1	Piston & Pin Ass'y.(.010 OS)(Incl.43)
41	36072	1	Piston & Pin Ass'y.(.020 OS)(Incl.43)
42	36076	1	Ring Set (Std.)
42	36077	1	Ring Set (.010 OS)
42	36078	1	Ring Set (.020 OS)
43	20381	2	Piston Pin Retaining Ring
45	36023A	1	Connecting Rod Ass'y. (Incl. 46)
46	32610A	2	Connecting Rod Bolt
48	36030	2	Valve Lifter
50	36031	1	Camshaft (MCR)
52	29914	1	Oil Pump Ass'y.
69	36032A	1	* Mounting Flange Gasket
70	36151	1	Mounting Flange (Incl. 72 thru 85)
72	36083	1	Oil Drain Plug
75	36010	1	Oil Seal
80	30574A	1	Governor Shaft
81	30590A	1	Washer
82	30591	1	Governor Gear Ass'y. (Incl.81)
83	36057	1	Governor Spool
85	36034	1	Idle Gear
86	650924	7	Screw, 1/4-20 x 1-9/16"
89	611154	1	Flywheel Key
90	611197	1	Flywheel
92	650815	1	Belleville Washer
93	650816	1	Flywheel Nut
100	34443A	1	Solid State Ignition
101	610118	1	Spark Plug Cover
103	651007	2	Screw, Torx T-15, 10-24 x 15/16"
110	36230	1	Ground Wire
110C	36817	1	Ground Wire
110A	36097	1	Ground Wire
115	650518	1	Lock Washer
119	36061	1	* Cylinder Head Gasket
120	36120A	1	Cylinder Head
125	36471	1	Exhaust Valve (Std.) (Incl. 151)
125	36472	1	Exhaust Valve (1/32" OS)

Ref #	Part Number	Qty	Description
126	29314B	1	Intake Valve (Std.) (Incl. 151)
126	29315C	1	Intake Valve (1/32" OS)
130	6021A	7	Screw, 5/16-18 x 1-1/2"
135	35395	1	Resistor Spark Plug (RJ19LM)
150	31672	2	Valve Spring
151	31673	2	Lower Valve Spring Cap
151A	40016	1	Intake Valve Seal
169	27234A	1	* Valve Spring Box Gasket
172	32755	1	Valve Spring Box Cover
174	30200	2	Screw, 10-24 x 9/16"
177	650925	2	Carburetor Mounting Stud
186	36009	1	Governor Link
187B	36035	1	* Carburetor Gasket/Air Baffle
195	610973	1	Terminal Ass'y.
210	27793	1	Conduit Clip
211	28942	1	Screw, 10-32 x 3/8"
239	36048	1	* Carburetor to Air Cleaner Gasket
240	36044A	1	Air Cleaner Body (Incl.239,299 & 350)
243	650899	1	Screw, 10-32 x 2-3/32"
245A	36102	1	Air Cleaner Filter
245	36046	1	Air Cleaner Filter
250	36047	1	Air Cleaner Cover
251	650928	2	Lock Nut 1/4-20
255	36104	1	Control Plate
256	650983	2	Screw, 8-32 x 21/64"
260	36101	1	Blower Housing
261	650737	3	Screw, 1/4-20 x 1/2"
262	650929	1	Screw, 1/4-20 x 11/16"
263	36080	1	Trim Ring
275	36107	1	Muffler
276	36043	1	Locking Plate
277	650927	2	Screw, 5/6-18 x 2-11/32"
285	34449A	1	Starter Cup
287	650926	2	Screw, 8-32 x 21/64"
290	34357	1	Fuel Line
292	26460	2	Fuel Line Clamp
299	650900	1	"U" Type Nut Clip
300	36066	1	Fuel Tank (Incl. 301)
301	36246	1	Fuel Cap
305	36063	1	Oil Fill Tube
307	35499	1	"O" Ring
308	36040	1	Fill Tube Clip
310	36064	1	Dipstick
314	650767	2	Screw, 8-32 x 27/64"
315	36095	1	Alternator Coil
322	35013	1	Connector Body
346A	28763	2	Screw, 10-32 x 35/64"
350	36045	1	Primer
361B	29216	3	Lock Nut
370K	36695	1	Starter Decal
370A	36261	1	Lubrication Decal
380	632671	1	Carburetor (Incl. 187B & 239)
390	590732	1	Rewind Starter (NOTE: This engine could have been built with 590738 starter. Refer to the design of the rope pulley strength ribs for part identification. Individual starter parts do not interchange. Refer to service bulletin 116).
395	36123	1	Electric Starter Motor (12 Volt)

Ref #	Part Number	Qty	Description
400	36062B		* Gasket Set (Incl. items marked PK i n notes). Incl. part #'s 27234A (1), 36005A (1), 36032A (1), 36035 (1), 36048 (1), 36061 (1)
420	730225	1	4 Cycle Oil, SAE 30 (Quart)

ILLUSTRATION SHOWS TYPICAL PARTS ONLY. ORDER BY PART NUMBER. PARTS NOT LISTED ARE SUPPLIED BY OEM.



Ref #	Part Number	Qty	Description
251	650928	2	Lock Nut 1/4-20
287	650926	2	Screw, 8-32 x 21/64"
350	36045	1	Primer
370A	36261	1	Lubrication Decal
390	590732	1	Rewind Starter (NOTE: This engine could have been built with 590738 starter. Refer to the design of the rope pulley strength ribs for part identification. Individual starter parts do not interchange. Refer to service bulletin 116).
416	36085	1	Spark Arrestor Kit (Incl. 417)
417	650760	1	Screw, 8-32 x 3/8"