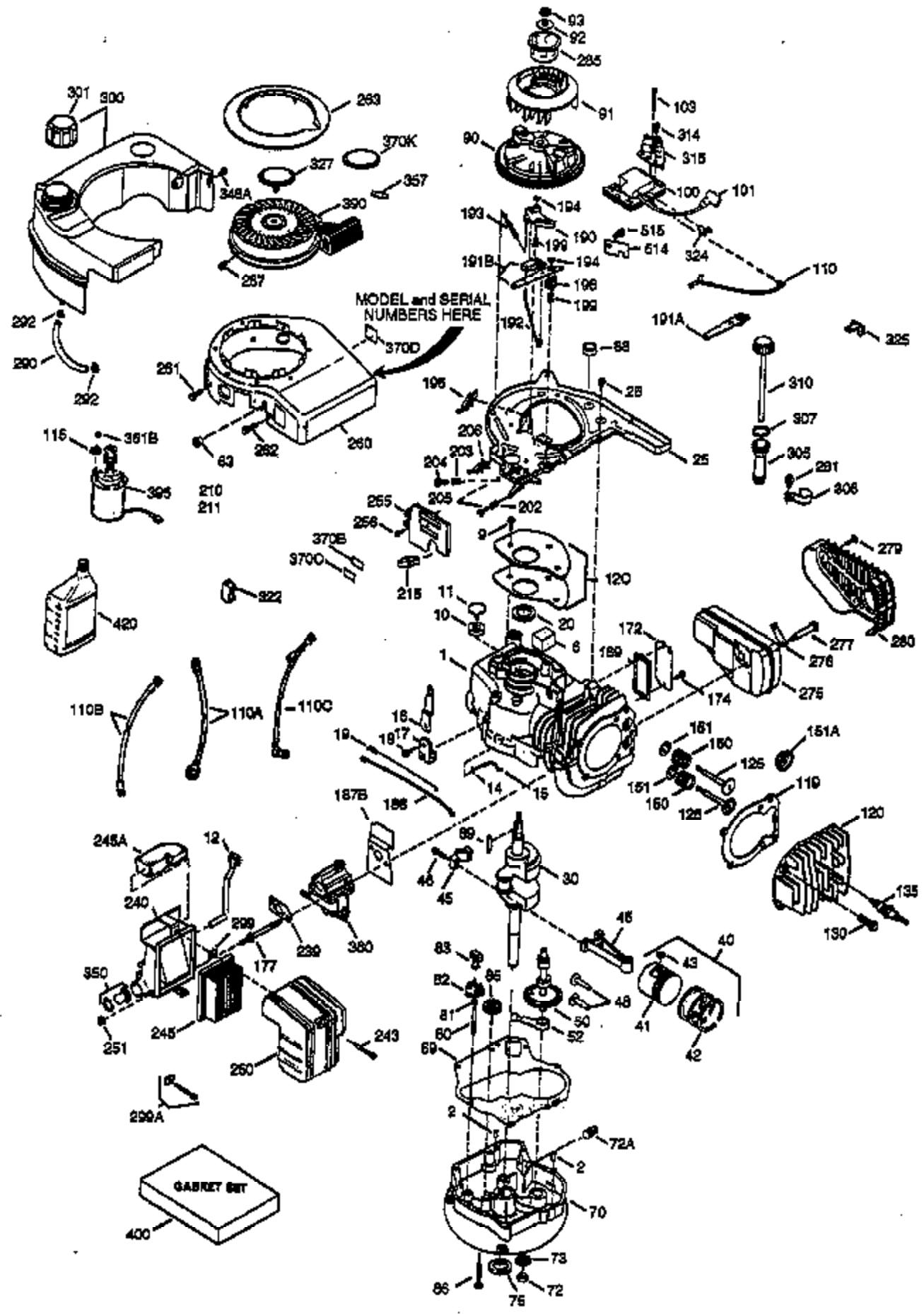


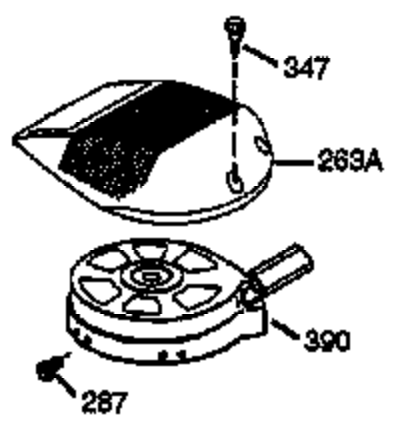
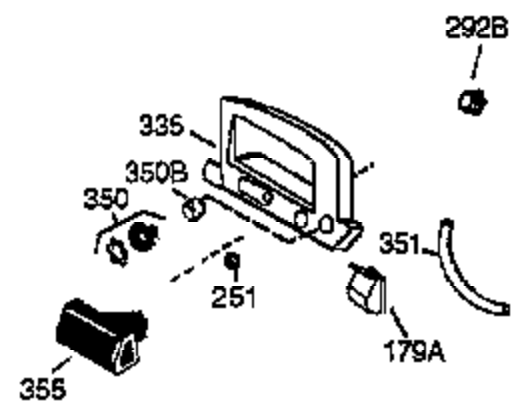
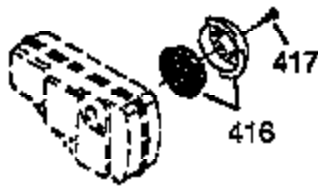
ILLUSTRATION SHOWS TYPICAL PARTS ONLY. ORDER BY PART NUMBER. PARTS NOT LISTED ARE SUPPLIED BY OEM.



Ref #	Part Number	Qty	Description
	1 36146	1	Cylinder (Incl. 2,10,20 & 125)
	2 27652	2	Dowel Pin
	6 36059	1	Breather Element
	9 590568	3	Screw, 10-24 x 3/4"
	10 36002	1	Breather Valve Body
	11 36003	1	Check Valve
	12 36001	1	Breather Tube
	12C 36005A	1	* Breather Cover & Gasket
	14 28277	1	Flat Washer
	15 36006	1	Governor Rod (Machined)
	16 36008	1	Governor Lever
	17 31335	1	Governor Lever Clamp
	18 650548	1	Screw, 8-32 x 5/16"
	19 36140	1	Governor Spring
	20 36010	1	Oil Seal
	25 36081	1	Blower Housing Baffle Ass'y.(Incl.195 )
	26 650802	3	Screw, 1/4-20 x 5/8"
	30 36170	1	Crankshaft
	40 36073	1	Piston,Pin,Ring Set (Std.)
	40 36074	1	Piston,Pin,Ring Set (.010 OS)
	40 36075	1	Piston,Pin,Ring Set (.020 OS)
	41 36070	1	Piston & Pin Ass'y.(Std.) (Incl. 43)
	41 36071	1	Piston & Pin Ass'y.(.010 OS)(Incl.43)
	41 36072	1	Piston & Pin Ass'y.(.020 OS)(Incl.43)
	42 36076	1	Ring Set (Std.)
	42 36077	1	Ring Set (.010 OS)
	42 36078	1	Ring Set (.020 OS)
	43 20381	2	Piston Pin Retaining Ring
	45 36023A	1	Connecting Rod Ass'y. (Incl. 46)
	46 32610A	2	Connecting Rod Bolt
	48 36030	2	Valve Lifter
	50 36031	1	Camshaft (MCR)
	52 29914	1	Oil Pump Ass'y.
	69 36032A	1	* Mounting Flange Gasket
	70 36151	1	Mounting Flange (Incl. 72 thru 85)
	72 36083	1	Oil Drain Plug
	75 36010	1	Oil Seal
	80 30574A	1	Governor Shaft
	81 30590A	1	Washer
	82 30591	1	Governor Gear Ass'y. (Incl.81)
	83 36057	1	Governor Spool
	85 36034	1	Idle Gear
	86 650924	7	Screw, 1/4-20 x 1-9/16"
	89 611154	1	Flywheel Key
	90 611170	1	Flywheel
	92 650815	1	Belleville Washer
	93 650816	1	Flywheel Nut
	100 34443A	1	Solid State Ignition
	101 610118	1	Spark Plug Cover
	103 651007	2	Screw, Torx T-15, 10-24 x 15/16"
	110A 36817	1	Ground Wire
	110 36230	1	Ground Wire
	119 36061	1	* Cylinder Head Gasket
	120 36120A	1	Cylinder Head
	125 36471	1	Exhaust Valve (Std.) (Incl. 151)
	125 36472	1	Exhaust Valve (1/32" OS)
	126 29314B	1	Intake Valve (Std.) (Incl. 151)
	126 29315C	1	Intake Valve (1/32" OS)

Ref #	Part Number	Qty	Description
130	6021A	7	Screw, 5/16-18 x 1-1/2"
135	35395	1	Resistor Spark Plug (RJ19LM)
150	31672	2	Valve Spring
151A	40016	1	Intake Valve Seal
151	31673	2	Lower Valve Spring Cap
169	27234A	1	* Valve Spring Box Gasket
172	32755	1	Valve Spring Box Cover
174	30200	2	Screw, 10-24 x 9/16"
177	650925	2	Carburetor Mounting Stud
186	36009	1	Governor Link
187B	36035	1	* Carburetor Gasket/Air Baffle
202	36482	1	Compression Spring
203	31342	1	Compression Spring
204	650549	1	Screw, 5-40 x 7/16"
205	650777	1	Screw, 6-32 x 21/32"
210	27793	1	Conduit Clip
211	28942	1	Screw, 10-32 x 3/8"
239	36048	1	* Carburetor to Air Cleaner Gasket
240	36044A	1	Air Cleaner Body (Incl.239,299 & 350)
243	650899	1	Screw, 10-32 x 2-3/32"
245A	36102	1	Air Cleaner Filter
245	36046	1	Air Cleaner Filter
250	36047	1	Air Cleaner Cover
251	650928	2	Lock Nut 1/4-20
255	36104	1	Control Plate
256	650983	2	Screw, 8-32 x 21/64"
260	36038	1	Blower Housing
261	650737	3	Screw, 1/4-20 x 1/2"
262	650929	1	Screw, 1/4-20 x 11/16"
263	36080	1	Recoil Ring
275	36107	1	Muffler
276	36043	1	Locking Plate
277	650927	2	Screw, 5/6-18 x 2-11/32"
285	34449A	1	Starter Cup
287	650926	2	Screw, 8-32 x 21/64"
290	34357	1	Fuel Line
292	26460	2	Fuel Line Clamp
299	650900	1	"U" Type Nut Clip
300	36066	1	Fuel Tank (Incl. 301)
301	36246	1	Fuel Cap
305	36063	1	Oil Fill Tube
307	35499	1	"O" Ring
308	36040	1	Fill Tube Clip
310	36064	1	Dipstick
346A	28763	2	Screw, 10-32 x 35/64"
350	36045	1	Primer
370K	36695	1	Starter Decal
370A	36261	1	Lubrication Decal
380	632671	1	Carburetor (Incl. 187B & 239)
390	590732	1	Rewind Starter (NOTE: This engine could have been built with 590738 starter. Refer to the design of the rope pulley strength ribs for part identification. Individual starter parts do not interchange. Refer to service bulletin 116).
400	36062B	1	* Gasket Set (Incl. items marked PK in notes). Incl. part #'s 27234A (1), 36005A (1), 36032A (1), 36035 (1), 36048 (1), 36061 (1)
420	730225	1	4 Cycle Oil, SAE 30 (Quart)

ILLUSTRATION SHOWS TYPICAL PARTS ONLY. ORDER BY PART NUMBER. PARTS NOT LISTED ARE SUPPLIED BY OEM.



Ref #	Part Number	Qty	Description
251	650928	2	Lock Nut 1/4-20
287	650926	2	Screw, 8-32 x 21/64"
350	36045	1	Primer
370A	36261	1	Lubrication Decal
390	590732	1	Rewind Starter (NOTE: This engine could have been built with 590738 starter. Refer to the design of the rope pulley strength ribs for part identification. Individual starter parts do not interchange. Refer to service bulletin 116).
416	36085	1	Spark Arrestor Kit (Incl. 417)
417	650760	1	Screw, 8-32 x 3/8"