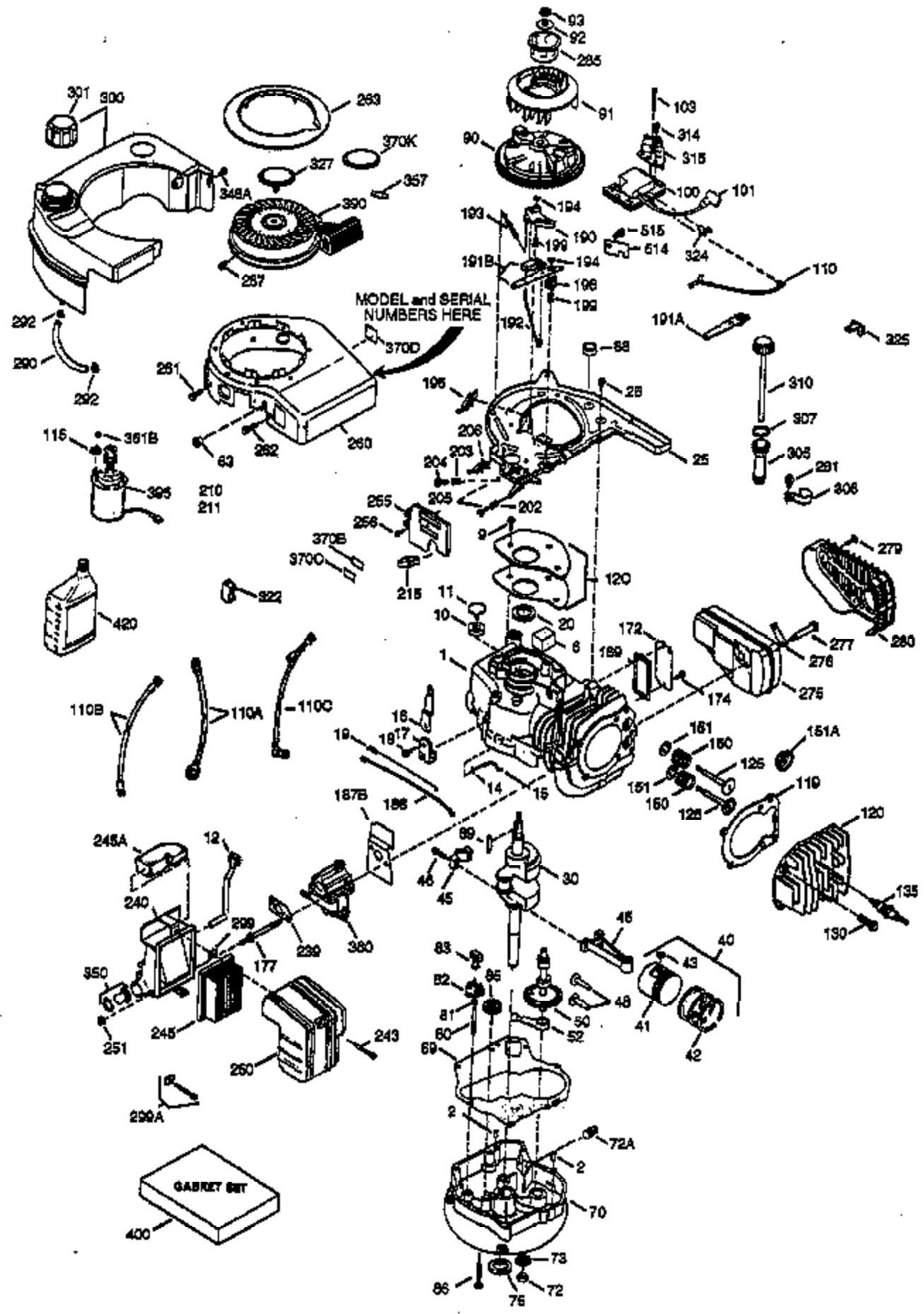


ILLUSTRATION SHOWS TYPICAL PARTS ONLY. ORDER BY PART NUMBER. PARTS NOT LISTED ARE SUPPLIED BY OEM.

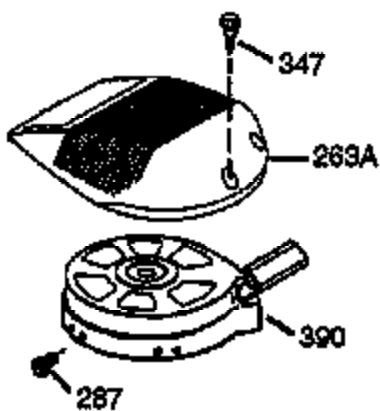
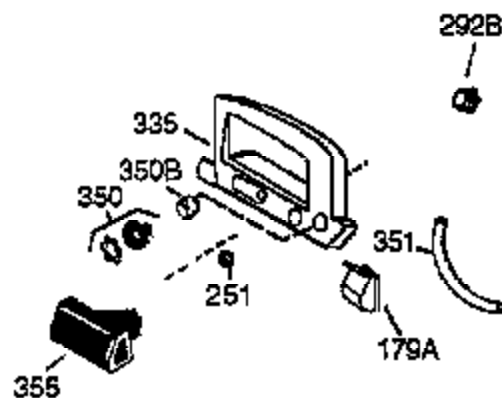


Ref #	Part Number	Qty	Description
	1 36177	1	Cylinder (Incl. 2,10,12,20 & 125)
	2 27652	2	Dowel Pin
	6 36059	1	Breather Element
	9 590568	3	Screw, 10-24 x 3/4"
	10 36002	1	Breather Valve Body
	11 36003	1	Check Valve
	12C 36005A	1	* Breather Cover & Gasket
	12 32447	1	Breather Tube
	14 28277	1	Washer
	15 36006	1	Governor Rod (Machined)
	16 36008	1	Governor Lever
	17 31335	1	Governor Lever Clamp
	18 651018	1	Screw, Torx T-15, 8-32 x 19/64"
	19 36082	1	Governor Spring
	20 36010	1	Oil Seal
	25 36081	1	Blower Housing Baffle (Incl.195)
	26 650802	3	Screw, 1/4-20 x 5/8"
	30 36178	1	Crankshaft
	40 36073	1	Piston,Pin,Ring Set (Std.)
	40 36074	1	Piston,Pin,Ring Set (.010 OS)
	40 36075	1	Piston,Pin,Ring Set (.020 OS)
	41 36070	1	Piston & Pin Ass'y.(Std.) (Incl. 43)
	41 36071	1	Piston & Pin Ass'y.(.010 OS)(Incl.43)
	41 36072	1	Piston & Pin Ass'y.(.020 OS)(Incl.43)
	42 36076	1	Ring Set (Std.)
	42 36077	1	Ring Set (.010 OS)
	42 36078	1	Ring Set (.020 OS)
	43 20381	2	Piston Pin Retaining Ring
	45 36023A	1	Connecting Rod Ass'y. (Incl. 46)
	46 32610A	2	Connecting Rod Bolt
	48 36030	2	Valve Lifter
	50 36031A	1	Camshaft (MCR)
	52 29914	1	Oil Pump Ass'y.
	63 36100	1	Grommet
	69 36032A	1	* Mounting Flange Gasket
	70 36151	1	Mounting Flange (Incl. 72 thru 85)
	72 36083	1	Oil Drain Plug
	75 36010	1	Oil Seal
	80 30574A	1	Governor Shaft
	81 30590A	1	Washer
	82 30591	1	Governor Gear Ass'y. (Incl.81)
	83 36057	1	Governor Spool
	85 36034	1	Idle Gear
	86 650924	7	Screw, 1/4-20 x 1-9/16"
	89 611154	1	Flywheel Key
	90 611171	1	Flywheel
	91 611156	1	Flywheel Fan
	92 650815	1	Belleville Washer
	93 650816	1	Flywheel Nut
	100 34443A	1	Solid State Ignition
	101 610118	1	Spark Plug Cover
	103 651007	2	Screw, Torx T-15, 10-24 x 15/16"
	110 36054	1	Ground Wire
	110C 36099	1	Ground Wire
	110A 36097	1	Ground Wire
	110B 36098	1	D.C. Starter Wire
	115 650518	1	Lock Washer
	119 36061	1	* Cylinder Head Gasket

Ref #	Part Number	Qty	Description
120	36120A	1	Cylinder Head
125	36471	1	Exhaust Valve (Std.) (Incl. 151)
125	36472	1	Exhaust Valve (1/32" OS)
126	29314B	1	Intake Valve (Std.) (Incl. 151)
126	29315C	1	Intake Valve (1/32" OS)
130	6021A	7	Screw, 5/16-18 x 1-1/2"
135	35395	1	Resistor Spark Plug (RJ19LM)
150	31672	2	Valve Spring
151	31673	2	Lower Valve Spring Cap
151A	40016	1	Intake Valve Seal
152	37075	1	"O"-Ring
169	27234A	1	* Valve Spring Box Gasket
172	32755	1	Valve Spring Box Cover
174	30200	2	Screw, 10-24 x 9/16"
177	650925A	2	Carburetor Mounting Stud
186	36009	1	Governor Link
187B	36035	1	* Carburetor Gasket/Air Baffle
190	36013	1	Brake Lever Ass'y.
191B	36122	1	Brake Control Lever & Switch
192	36016	1	Brake Control Lever Link
193	36015	1	Brake Spring
194	36014	2	Retaining Ring
195	610973	1	Terminal Ass'y.
198	36017	1	Brake Control Lever Spring
199	36018	2	Brake Lever Bushing
202	36482	1	Compression Spring
203	31342	1	Compression Spring
204	651029	1	Screw, Torx T-10, 5-40 x 7/16"
205	651030	1	Screw, Torx T-10, 6-32 x 17/32"
239	36048	1	* Carburetor to Air Cleaner Gasket
240	36044A	1	Air Cleaner Body (Incl.239,299 & 350)
243	650899	1	Screw, 10-32 x 2-3/32"
245	36046	1	Air Cleaner Filter
250	36179	1	Air Cleaner Cover
251	650928	2	Lock Nut 1/4-20
255	36105	1	Control Plate
256	650983	2	Screw, 8-32 x 21/64"
260	36425	1	Blower Housing
261	650737	3	Screw, 1/4-20 x 1/2"
262	650929	1	Screw, 1/4-20 x 11/16"
275	36107	1	Muffler
276	36043	1	Locking Plate
277	650927	2	Screw, 5/6-18 x 2-11/32"
279	650956	3	Screw, Torx T-25, 12-24 x 49/64"
280	36090	1	Heat Shield (Incl. 279)
285	34449A	1	Starter Cup
287	650926	2	Screw, 8-32 x 21/64"
290	34357	1	Fuel Line
292	26460	2	Fuel Line Clamp
299	650900	1	"U" Type Nut Clip
300	36066	1	Fuel Tank (Incl. 301)
301	35355	1	Fuel Cap
305	36063	1	Oil Fill Tube
307	35499	1	"O" Ring
308	36040	1	Fill Tube Clip
310	36147	1	Dipstick
314	650767	2	Screw, 8-32 x 27/64"
315	36095	1	Alternator Coil

Ref #	Part Number	Qty	Description
322	35013	1	Connector Body
324	33177	1	Terminal
325	35249	1	Spring Clip
346A	28763	2	Screw, 10-32 x 35/64"
350	36045	1	Primer
361B	29216	3	Lock Nut
370D	36534	1	Caution Decal
370A	36261	1	Lubrication Decal
380	632671	1	Carburetor (Incl. 187B & 239)
390	590702	1	Rewind Starter (NOTE: This engine could have been built with 590739 starter. Refer to the design of the rope pulley strength ribs for part identification. Individual starter parts do not interchange. Refer to service bulletin 116).
395	36086	1	Electric Starter Motor (12 Volt)
400	36062B	1	* Gasket Set (Incl. items marked PK in notes). Incl. part #'s 27234A (1), 36005A (1), 36032A (1), 36035 (1), 36048 (1), 36061 (1)
420	730225	1	4 Cycle Oil, SAE 30 (Quart)

ILLUSTRATION SHOWS TYPICAL PARTS ONLY. ORDER BY PART NUMBER. PARTS NOT LISTED ARE SUPPLIED BY OEM.



Ref #	Part Number	Qty	Description
152	37075	1	"O"-Ring
251	650928	2	Lock Nut 1/4-20
263A	36426	1	Starter Grill
287	650926	2	Screw, 8-32 x 21/64"
347	650898A	3	Screw, 10-32 x 27/32"
350	36045	1	Primer
370A	36261	1	Lubrication Decal
390	590702	1	Rewind Starter (NOTE: This engine could have been built with 590739 starter. Refer to the design of the rope pulley strength ribs for part identification. Individual starter parts do not interchange. Refer to service bulletin 116).
416	36085	1	Spark Arrestor Kit (Incl. 417)(Optional)
417	650760	1	Screw, 8-32 x 3/8" (Optional)