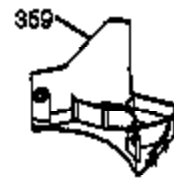
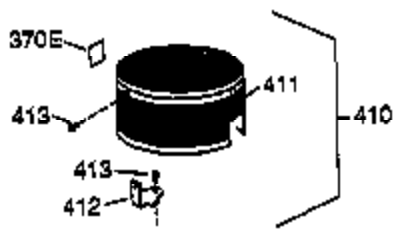
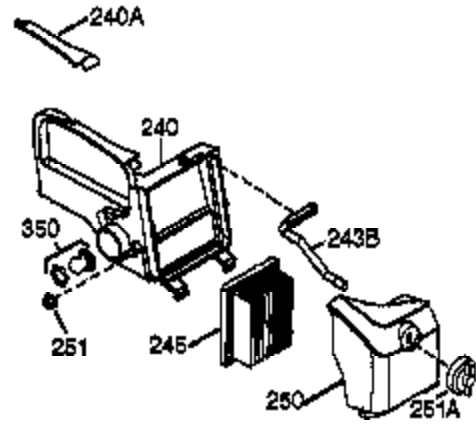
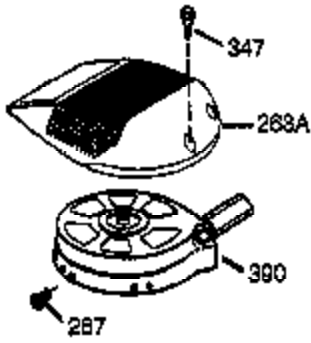
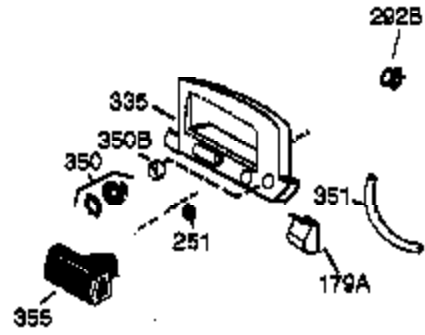


| Ref # | Part Number | Qty | Description                             |
|-------|-------------|-----|---|
|       | 1 36177     | 1   | Cylinder (Incl. 2,10,12,20 & 125)       |
|       | 2 27652     | 2   | Dowel Pin                               |
|       | 6 36059     | 1   | Breather Element                        |
|       | 9 590568    | 3   | Screw, 10-24 x 3/4"                     |
|       | 10 36002    | 1   | Breather Valve Body                     |
|       | 11 36003    | 1   | Check Valve                             |
|       | 12 32447    | 1   | Breather Tube                           |
| 12C   | 36005A      | 1   | * Breather Cover & Gasket               |
|       | 14 28277    | 1   | Flat Washer                             |
|       | 15 36006    | 1   | Governor Rod (Machined)                 |
|       | 16 36008    | 1   | Governor Lever                          |
|       | 17 31335    | 1   | Governor Lever Clamp                    |
|       | 18 651018   | 1   | Screw, Torx T-15, 8-32 x 19/64"         |
|       | 19 36082    | 1   | Governor Spring                         |
|       | 20 36010    | 1   | Oil Seal                                |
|       | 25 36081    | 1   | Blower Housing Baffle Ass'y.(Incl.195 ) |
|       | 26 650802   | 3   | Screw, 1/4-20 x 5/8"                    |
|       | 30 36178    | 1   | Crankshaft                              |
|       | 40 40004    | 1   | Piston,Pin,Ring Set (Std.)              |
|       | 40 40005    | 1   | Piston,Pin,Ring Set (.010 OS)           |
|       | 41 36070    | 1   | Piston & Pin Ass'y.(Std.) (Incl. 43)    |
|       | 41 36071    | 1   | Piston & Pin Ass'y.(.010 OS)(Incl.43)   |
|       | 42 40006    | 1   | Ring Set (Std.)                         |
|       | 42 40007    | 1   | Ring Set (.010 OS)                      |
|       | 43 20381    | 2   | Piston Pin Retaining Ring               |
|       | 45 36023A   | 1   | Connecting Rod Ass'y. (Incl. 46)        |
|       | 46 32610A   | 2   | Connecting Rod Bolt                     |
|       | 48 36030    | 2   | Valve Lifter                            |
|       | 50 36031A   | 1   | Camshaft (MCR)                          |
|       | 52 29914    | 1   | Oil Pump Ass'y.                         |
|       | 69 36032A   | 1   | * Mounting Flange Gasket                |
|       | 70 36194A   | 1   | Mounting Flange (Incl. 72 thru 85)      |
|       | 72 36083    | 1   | Oil Drain Plug                          |
|       | 75 36010    | 1   | Oil Seal                                |
|       | 80 30574A   | 1   | Governor Shaft                          |
|       | 81 30590A   | 1   | Washer                                  |
|       | 82 30591    | 1   | Governor Gear Ass'y. (Incl.81)          |
|       | 83 36057    | 1   | Governor Spool                          |
|       | 85 36034    | 1   | Idle Gear                               |
|       | 86 650924   | 7   | Screw, 1/4-20 x 1-9/16"                 |
|       | 88 31707A   | 1   | Spacer                                  |
|       | 89 611154   | 1   | Flywheel Key                            |
|       | 90 611197   | 1   | Flywheel                                |
|       | 92 650815   | 1   | Belleville Washer                       |
|       | 93 650816   | 1   | Flywheel Nut                            |
|       | 100 34443B  | 1   | Solid State Ignition                    |
|       | 101 610118  | 1   | Spark Plug Cover                        |
| 110A  | 36817       | 1   | Ground Wire                             |
|       | 110 34970   | 1   | Ground Wire                             |
|       | 115 650518  | 1   | Lock Washer                             |
|       | 119 36061   | 1   | * Cylinder Head Gasket                  |
|       | 120 36120A  | 1   | Cylinder Head                           |
|       | 125 36471   | 1   | Exhaust Valve (Std.) (Incl. 151)        |
|       | 125 36472   | 1   | Exhaust Valve (1/32" OS)                |
|       | 126 29314B  | 1   | Intake Valve (Std.) (Incl. 151)         |
|       | 126 29315C  | 1   | Intake Valve (1/32" OS)                 |
|       | 130 6021A   | 7   | Screw, 5/16-18 x 1-1/2"                 |
|       | 135 35395   | 1   | Resistor Spark Plug (RJ19LM)            |

| Ref # | Part Number | Qty | Description   |
|-------|-------------|-----|---|
| 150   | 31672       | 2   | Valve Spring  |
| 151A  | 40016       | 1   | Intake Valve Seal   |
| 151   | 31673       | 2   | Lower Valve Spring Cap  |
| 152   | 37075       | 1   | "O"-Ring  |
| 169   | 27234A      | 1   | * Valve Spring Box Gasket   |
| 172   | 32755       | 1   | Valve Spring Box Cover  |
| 174   | 30200       | 2   | Screw, 10-24 x 9/16"  |
| 177   | 650925      | 2   | Carburetor Mounting Stud  |
| 186   | 36009       | 1   | Governor Link   |
| 187B  | 36035       | 1   | * Carburetor Gasket/Air Baffle  |
| 195   | 610973      | 1   | Terminal  |
| 202   | 36482       | 1   | Compression Spring  |
| 203   | 31342       | 1   | Compression Spring  |
| 204   | 651029      | 1   | Screw, Torx T-10, 5-40 x 7/16"  |
| 205   | 651030      | 1   | Screw, Torx T-10, 6-32 x 21/32"   |
| 210   | 27793       | 1   | Conduit Clip  |
| 211   | 28942       | 1   | Screw, 10-32 x 3/8"   |
| 239   | 36048       | 1   | * Carburetor to Air Cleaner Gasket  |
| 240   | 36044B      | 1   | Air Cleaner Body (Incl.239,299 & 350)   |
| 243   | 650899      | 1   | Screw, 10-32 x 2-3/32"  |
| 245   | 36046       | 1   | Air Cleaner Filter  |
| 245A  | 36102       | 1   | Air Cleaner Filter  |
| 250   | 36047       | 1   | Air Cleaner Cover   |
| 251   | 650928      | 2   | Lock Nut 1/4-20   |
| 255   | 36104       | 1   | Control Plate   |
| 256   | 650983      | 2   | Screw, 8-32 x 21/64"  |
| 260   | 36101       | 1   | Blower Housing  |
| 261   | 650737      | 3   | Screw, 1/4-20 x 1/2"  |
| 262   | 650929      | 1   | Screw, 1/4-20 x 11/16"  |
| 263   | 36080       | 1   | Trim Ring   |
| 275   | 36107       | 1   | Muffler   |
| 276   | 36043       | 1   | Locking Plate   |
| 277   | 650927      | 2   | Screw, 5/6-18 x 2-11/32"  |
| 285   | 34449A      | 1   | Starter Cup   |
| 287   | 650926      | 3   | Screw, 8-32 x 21/64"  |
| 290   | 34357       | 1   | Fuel Line   |
| 292   | 26460       | 2   | Fuel Line Clamp   |
| 299   | 650900      | 1   | "U" Type Nut Clip   |
| 300   | 36066       | 1   | Fuel Tank (Incl. 301)   |
| 301   | 36246       | 1   | Fuel Cap  |
| 305   | 36063       | 1   | Oil Fill Tube   |
| 307   | 35499       | 1   | "O" Ring  |
| 308   | 36040       | 1   | Fill Tube Clip  |
| 310   | 36064       | 1   | Dipstick  |
| 314   | 650767      | 2   | Screw, 8-32 x 27/64"  |
| 315   | 36095       | 1   | Alternator Coil   |
| 322   | 35013       | 1   | Connector Body  |
| 346A  | 28763       | 2   | Screw, 10-32 x 35/64"   |
| 350   | 36045       | 1   | Primer  |
| 361B  | 29216       | 4   | Lock Nut  |
| 370A  | 36261       | 1   | Lubrication Decal   |
| 370K  | 36695       | 1   | Starter Decal   |
| 380   | 640020      | 1   | Carburetor (Incl. 187B & 239)   |
| 390   | 590732      | 1   | Rewind Starter (NOTE: This engine could have been built with 590738 starter). |
| 395   | 36123       | 1   | Electric Starter Motor (12 Volt)  |

| Ref # | Part Number | Qty | Description   |
|-------|-------------|-----|---|
| 400   | 36062C      | 1   | * Gasket Set (Incl. items marked PK i n notes). Incl. part #'s<br>27234A (1), 28833 (1), 36005A (1), 36032A (1), 36035 (1),<br>36048 (1), 36061 (1), 696088 (1) |
| 416   | 36085       | 1   | Spark Arrestor Kit (Incl. 417)  |
| 417   | 650760      | 1   | Screw, 8-32 x 3/8"  |
| 420   | 730225      | 1   | 4 Cycle Oil, SAE 30 (Quart)   |



| Ref # | Part Number | Qty | Description   |
|-------|-------------|-----|---|
| 152   | 37075       | 1   | "O"-Ring  |
| 187B  | 36035       | 1   | * Carburetor Gasket/Air Baffle  |
| 240   | 36044B      | 1   | Air Cleaner Body (Incl.239,299 & 350)   |
| 245   | 36046       | 1   | Air Cleaner Filter  |
| 250   | 36047       | 1   | Air Cleaner Cover   |
| 251   | 650928      | 2   | Lock Nut 1/4-20   |
| 287   | 650926      | 3   | Screw, 8-32 x 21/64"  |
| 350   | 36045       | 1   | Primer  |
| 390   | 590732      | 1   | Rewind Starter (NOTE: This engine could have been built with 590738 starter). |