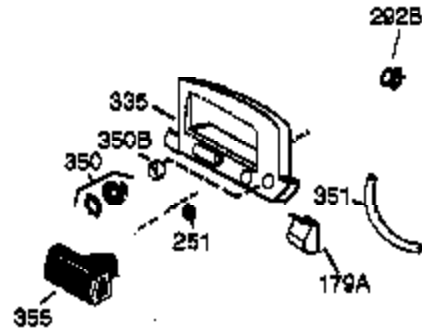




Ref #	Part Number	Qty	Description
	1 36177	1	Cylinder (Incl. 2,10,12,20 & 125)
	2 27652	2	Dowel Pin
	6 36059	1	Breather Element
	9 590568	3	Screw, 10-24 x 3/4"
	10 36002	1	Breather Valve Body
	11 36003A	1	Check Valve
	12C 36005A	1	* Breather Cover & Gasket
	12 32447	1	Breather Tube
	14 28277	1	Flat Washer
	15 36006	1	Governor Rod (Machined)
	16 36008	1	Governor Lever
	17 31335	1	Governor Lever Clamp
	18 651018	1	Screw, Torx T-15, 8-32 x 19/64"
	19 36140	1	Governor Spring
	20 36010	1	Oil Seal
	25 37193	1	Blower Housing Baffle Ass'y.(Incl. 19 5)
	26 650802	3	Screw, 1/4-20 x 5/8"
	30 36199	1	Crankshaft
	40 40004	1	Piston,Pin,Ring Set (Std.)
	40 40005	1	Piston,Pin,Ring Set (.010 OS)
	41 36070	1	Piston & Pin Ass'y.(Std.) (Incl. 43)
	41 36071	1	Piston & Pin Ass'y.(.010 OS)(Incl.43)
	42 40006	1	Ring Set (Std.)
	42 40007	1	Ring Set (.010 OS)
	43 20381	2	Piston Pin Retaining Ring
	45 36023A	1	Connecting Rod Ass'y. (Incl. 46)
	46 32610A	2	Connecting Rod Bolt
	48 36030	2	Valve Lifter
	50 36031A	1	Camshaft (MCR)
	52 29914	1	Oil Pump Ass'y.
	69 36032A	1	* Mounting Flange Gasket
	70 36194A	1	Mounting Flange (Incl. 72 thru 85)
	72A 28483	1	Oil Drain Plug
	72 36083	1	Oil Drain Plug
	75 36010	1	Oil Seal
	80 30574A	1	Governor Shaft
	81 30590A	1	Washer
	82 30591	1	Governor Gear Ass'y. (Incl.81)
	83 36057	1	Governor Spool
	85 36034	1	Idle Gear
	86 650924	7	Screw, 1/4-20 x 1-9/16"
	89 611154	1	Flywheel Key
	90 611170	1	Flywheel
	92 650815	1	Belleville Washer
	93 650816	1	Flywheel Nut
	100 34443B	1	Solid State Ignition
	101 610118	1	Spark Plug Cover
	103 651007	2	Screw, Torx T-15, 10-24 x 15/16"
	110 36054	1	Ground Wire
	110A 36230	1	Ground Wire
	119 36061	1	* Cylinder Head Gasket
	120 36187	1	Cylinder Head
	125 36471	1	Exhaust Valve (Std.) (Incl. 151)
	125 36472	1	Exhaust Valve (1/32" OS)
	126 29314B	1	Intake Valve (Std.) (Incl. 151)
	126 29315C	1	Intake Valve (1/32" OS) (Incl. 151)
	130 6021A	7	Screw, 5/16-18 x 1-1/2"
	135 35395	1	Resistor Spark Plug (RJ19LM)

Ref #	Part Number	Qty	Description
150	31672	2	Valve Spring
151	31673	2	Lower Valve Spring Cap
151A	40016	1	Intake Valve Seal
152	37075	1	"O"-Ring
169	27234A	1	* Valve Spring Box Gasket
172	32755	1	Valve Spring Box Cover
174	30200	2	Screw, 10-24 x 1/2"
177	650925A	2	Carburetor Mounting Stud
184	36183	2	Carburetor Gasket
186	36009	1	Governor Link
187A	36195	1	Air Baffle
190	36013	1	Brake Lever
191A	36012	1	Brake Control Lever
192	36016	1	Brake Control Link
193	36015	1	Brake Spring
194	36014	1	Retaining Ring
195	610973	1	Terminal
198	36017	1	Brake Control Spring
199	36018	1	Brake Control Lever Bushing
202	36482	1	Compression Spring
203	31342	1	Compression Spring
204	651029	1	Screw, Torx T-10, 5-40 x 7/16"
205	651030	1	Screw, Torx T-10, 6-32 x 41/64"
206	610973	1	Terminal
210	27793	1	Conduit Clip
211	28942	2	Screw, 10-32 x 3/8"
239	36048	1	* Carburetor to Air Cleaner Gasket
240	36190	1	Air Cleaner Body (Incl.239,299 & 350)
245	36046	1	Air Cleaner Filter
245A	37144	1	Air Cleaner Filter
250	36191	1	Air Cleaner Cover
251	650928	2	Lock Nut, 1/4-20
255	36138	1	Control Plate
256	650983	2	Screw, 8-32 x 1/2"
260	37194	1	Blower Housing
262	650737	5	Screw, 1/4-20 x 1-1/2"
275	36107	1	Muffler
276	36043	1	Locking Plate
277	650927	2	Screw, 5/16-18 x 2-11/32"
279	650956	3	Screw, Torx T-25, 12-24 x 49/64"
280	36090	1	Heat Shield (Incl. 279)
285	34449A	1	Starter Cup
287	650926	2	Screw, 8-32 x 21/64"
290	34357	1	Fuel Line
292	26460	2	Fuel Line Clamp
300	36130	1	Fuel Tank (Incl. 301)
301	36246	1	Fuel Cap
305	36063	1	Oil Fill Tube
307	35499	1	"O" Ring
308	36040	1	Fill Tube Clip
310	36064	1	Oil Dipstick
324	33177	1	Terminal
346A	28763	2	Screw, 10-32 x 35/64"
350	36045A	1	Primer
370K	36695	1	Starter Decal
370C	37199	1	Primer Decal
370A	36261	1	Lubrication Decal
380	640020	1	Carburetor (Incl. 239)

Ref #	Part Number	Qty	Description
390	590702	1	Rewind Starter (NOTE: This engine could have been built with 590739 starter).
400	36062D	1	* Gasket Set (Incl. items marked PK in notes). Incl. part #'s 27234A (1), 28833 (1), 36005A (1), 36032A (1), 36061 (1), 37136 (1), 696088 (1)
416	36085	1	Spark Arrestor Kit (Incl. 417)(Optional)
417	650760	1	Screw, 8-32 x 3/8" (Optional)
420	730225	1	4 Cycle Oil, SAE 30 (Quart)
514	36114	1	Brake Lock Out Device WARNING! Do not use the brake lock out device on engines required to meet CPSC safety standard for walk-behind power lawnmowers, Title 16, Part 1205 of the code of Federal Regulations or you will be in violation of the law.



Ref #	Part Number	Qty	Description
152	37075	1	"O"-Ring
240A	37195	1	Air Cleaner Body Extension
240	36190	1	Air Cleaner Body (Incl.239,299 & 350)
243B	651041	1	Stud
245	36046	1	Air Cleaner Filter
250	36191	1	Air Cleaner Cover
251	650928	2	Lock Nut, 1/4-20
251A	650933	1	Wing Nut
263A	36133	1	Starter Grill
287	650926	2	Screw, 8-32 x 21/64"
350	36045A	1	Primer
390	590702	1	Rewind Starter (NOTE: This engine could have been built with 590739 starter).