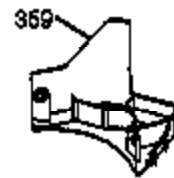
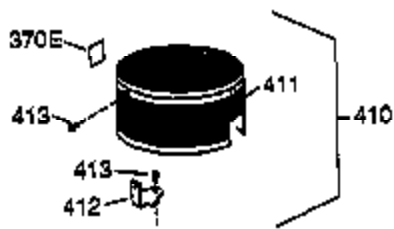
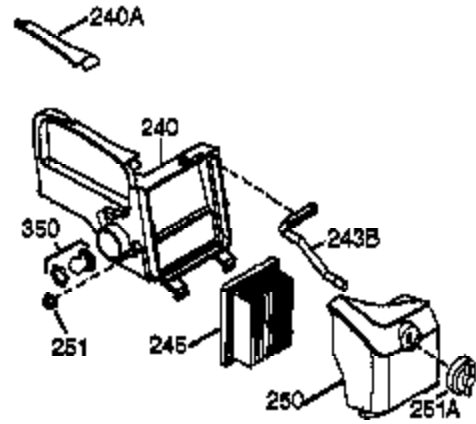
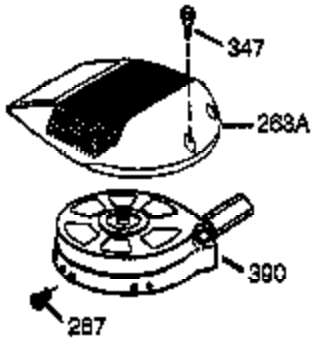
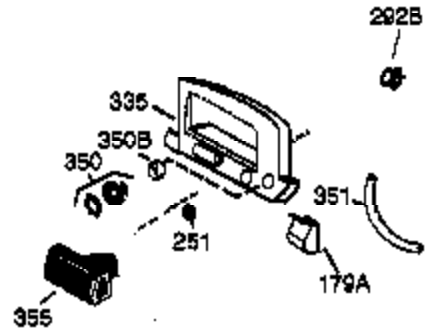




| Ref # | Part Number | Qty | Description |
|-------|-------------|-----|--|
| | 1 36177 | 1 | Cylinder (Incl. 2,10,12,20 & 125) |
| | 2 27652 | 2 | Dowel Pin |
| | 6 36059 | 1 | Breather Element |
| | 9 590568 | 3 | Screw, 10-24 x 3/4" |
| | 10 36002 | 1 | Breather Valve Body |
| | 11 36003A | 1 | Check Valve |
| | 12C 36005A | 1 | * Breather Cover & Gasket |
| | 12 32447 | 1 | Breather Tube |
| | 14 28277 | 1 | Flat Washer |
| | 15 36006 | 1 | Governor Rod (Machined) |
| | 16 36008 | 1 | Governor Lever |
| | 17 31335 | 1 | Governor Lever Clamp |
| | 18 651018 | 1 | Screw, Torx T-15, 8-32 x 19/64" |
| | 19 36140 | 1 | Governor Spring |
| | 20 36010 | 1 | Oil Seal |
| | 25 37196 | 1 | Blower Housing Baffle Ass'y.(Incl. 19 5) |
| | 26 650802 | 3 | Screw, 1/4-20 x 5/8" |
| | 30 36180 | 1 | Crankshaft |
| | 40 40004 | 1 | Piston,Pin, Ring Set (Std.) |
| | 40 40005 | 1 | Piston,Pin, Ring Set (.010 OS) |
| | 41 36070 | 1 | Piston & Pin Ass'y.(Std.) (Incl. 43) |
| | 41 36071 | 1 | Piston & Pin Ass'y.(.010 OS)(Incl.43) |
| | 42 40006 | 1 | Ring Set (Std.) |
| | 42 40007 | 1 | Ring Set (.010 OS) |
| | 43 20381 | 2 | Piston Pin Retaining Ring |
| | 45 36023A | 1 | Connecting Rod Ass'y. (Incl. 46) |
| | 46 32610A | 2 | Connecting Rod Bolt |
| | 48 36030 | 2 | Valve Lifter |
| | 50 36031A | 1 | Camshaft (MCR) |
| | 52 29914 | 1 | Oil Pump Ass'y. |
| | 69 36032A | 1 | * Mounting Flange Gasket |
| | 70 36194A | 1 | Mounting Flange (Incl. 72 thru 85) |
| | 72A 28483 | 1 | Oil Drain Plug |
| | 72 36083 | 1 | Oil Drain Plug |
| | 75 36010 | 1 | Oil Seal |
| | 80 30574A | 1 | Governor Shaft |
| | 81 30590A | 1 | Washer |
| | 82 30591 | 1 | Governor Gear Ass'y. (Incl.81) |
| | 83 36057 | 1 | Governor Spool |
| | 85 36034 | 1 | Idle Gear |
| | 86 650924 | 7 | Screw, 1/4-20 x 1-9/16" |
| | 89 611154 | 1 | Flywheel Key |
| | 90 611170 | 1 | Flywheel |
| | 92 650815 | 1 | Belleville Washer |
| | 93 650816 | 1 | Flywheel Nut |
| | 100 34443B | 1 | Solid State Ignition |
| | 101 610118 | 1 | Spark Plug Cover |
| | 103 651007 | 2 | Screw, Torx T-15, 10-24 x 15/16" |
| | 110 36230 | 1 | Ground Wire |
| | 119 36061 | 1 | * Cylinder Head Gasket |
| | 120 36187 | 1 | Cylinder Head |
| | 125 36471 | 1 | Exhaust Valve (Std.) (Incl. 151) |
| | 125 36472 | 1 | Exhaust Valve (1/32" OS) |
| | 126 29314B | 1 | Intake Valve (Std.) (Incl. 151) |
| | 126 29315C | 1 | Intake Valve (1/32" OS) (Incl. 151) |
| | 130 6021A | 7 | Screw, 5/16-18 x 1-1/2" |
| | 135 35395 | 1 | Resistor Spark Plug (RJ19LM) |
| | 150 31672 | 2 | Valve Spring |

| Ref # | Part Number | Qty | Description |
|-------|-------------|-----|---|
| 151 | 31673 | 2 | Lower Valve Spring Cap |
| 151A | 40016 | 1 | Intake Valve Seal |
| 152 | 37075 | 1 | "O"-Ring |
| 169 | 27234A | 1 | * Valve Spring Box Gasket |
| 172 | 32755 | 1 | Valve Spring Box Cover |
| 174 | 30200 | 2 | Screw, 10-24 x 1/2" |
| 177 | 650925A | 2 | Carburetor Mounting Stud |
| 184 | 36183 | 2 | Carburetor Gasket |
| 186 | 36009 | 1 | Governor Link |
| 187A | 36195 | 1 | Air Baffle |
| 195 | 610973 | 1 | Terminal |
| 202 | 36482 | 1 | Compression Spring |
| 203 | 31342 | 1 | Compression Spring |
| 204 | 651029 | 1 | Screw, Torx T-10, 5-40 x 7/16" |
| 205 | 651030 | 1 | Screw, Torx T-10, 6-32 x 41/64" |
| 215 | 36051 | 1 | Control Knob |
| 239 | 36048 | 1 | * Carburetor to Air Cleaner Gasket |
| 240 | 36190 | 1 | Air Cleaner Body (Incl.239,299 & 350) |
| 245 | 36046 | 1 | Air Cleaner Filter |
| 250 | 36191 | 1 | Air Cleaner Cover |
| 251 | 650928 | 2 | Lock Nut, 1/4-20 |
| 255 | 36193 | 1 | Control Plate |
| 256 | 650983 | 2 | Screw, 8-32 x 1/2" |
| 260 | 37194 | 1 | Blower Housing |
| 262 | 650737 | 5 | Screw, 1/4-20 x 1-1/2" |
| 275 | 36107 | 1 | Muffler |
| 276 | 36043 | 1 | Locking Plate |
| 277 | 650927 | 2 | Screw, 5/16-18 x 2-11/32" |
| 279 | 650956 | 3 | Screw, Torx T-25, 12-24 x 49/64" |
| 280 | 36090 | 1 | Heat Shield (Incl. 279) |
| 285 | 34449A | 1 | Starter Cup |
| 287 | 650926 | 2 | Screw, 8-32 x 21/64" |
| 290 | 34357 | 1 | Fuel Line |
| 292 | 26460 | 2 | Fuel Line Clamp |
| 300 | 36130 | 1 | Fuel Tank (Incl. 301) |
| 301 | 36246 | 1 | Fuel Cap |
| 305 | 36063 | 1 | Oil Fill Tube |
| 307 | 35499 | 1 | "O" Ring |
| 308 | 36040 | 1 | Fill Tube Clip |
| 310 | 36064 | 1 | Oil Dipstick |
| 346A | 28763 | 2 | Screw, 10-32 x 35/64" |
| 350 | 36045A | 1 | Primer |
| 370B | 37242 | 1 | Control Decal |
| 370K | 36695 | 1 | Starter Decal |
| 370C | 37199 | 1 | Primer Decal |
| 370D | 36534 | 1 | Caution Decal |
| 370A | 36261 | 1 | Lubrication Decal |
| 380 | 640020 | 1 | Carburetor (Incl. 239) |
| 390 | 590739 | 1 | Rewind Starter (NOTE: This engine could have been built with 590702 starter). |
| 400 | 36062D | 1 | * Gasket Set (Incl. items marked PK in notes). Incl. part #'s 27234A (1), 28833 (1), 36005A (1), 36032A (1), 36061 (1), 37136 (1), 696088 (1) |
| 416 | 36085 | 1 | Spark Arrestor Kit (Incl. 417)(Optional) |
| 417 | 650760 | 1 | Screw, 8-32 x 3/8" (Optional) |
| 420 | 730225 | 1 | 4 Cycle Oil, SAE 30 (Quart) |



| Ref # | Part Number | Qty | Description |
|-------|-------------|-----|---|
| 152 | 37075 | 1 | "O"-Ring |
| 240A | 37195 | 1 | Air Cleaner Body Extension |
| 240 | 36190 | 1 | Air Cleaner Body (Incl.239,299 & 350) |
| 243B | 651041 | 1 | Stud |
| 245 | 36046 | 1 | Air Cleaner Filter |
| 250 | 36191 | 1 | Air Cleaner Cover |
| 251 | 650928 | 2 | Lock Nut, 1/4-20 |
| 251A | 650933 | 1 | Wing Nut |
| 263A | 36133 | 1 | Starter Grill |
| 287 | 650926 | 2 | Screw, 8-32 x 21/64" |
| 350 | 36045A | 1 | Primer |
| 390 | 590739 | 1 | Rewind Starter (NOTE: This engine could have been built with 590702 starter). |