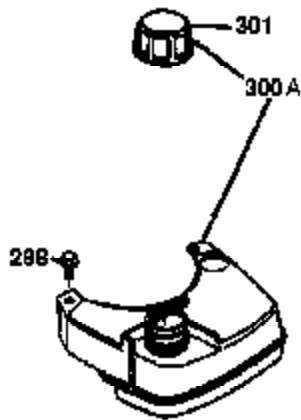
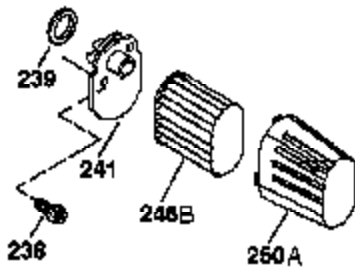
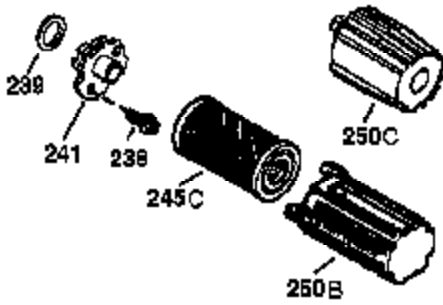


Ref #	Part Number	Qty	Description
1	37791	1	Cylinder (Incl. 2,20 & 150)
2	26727	2	Dowel Pin
6	33734	1	Breather Element
7	37247	1	Breather Ass'y. (Incl. 6 & 12A)
12B	34695	1	Breather Tube Elbow
12A	36558	1	Breather Cover & Tube (Incl. 12B)
14	28277	1	Washer
15	30589	1	Governor Rod (Incl. 14)
16	34839A	1	Governor Lever
17	31335	1	Governor Lever Clamp
18	651018	1	Screw, T-15, 8-32 x 19/64"
19	33578	1	Extension Spring
20	32600	1	Oil Seal
30	37839	1	Crankshaft
40	40053	1	Piston, Pin & Ring Set (Std.)
40	40054	1	Piston, Pin & Ring Set (.010" OS)
41	40051	1	Piston & Pin Ass'y. (Std.) (Incl. 43)
41	40052	1	Piston & Pin Ass'y. (.010" OS) (Incl. 43)
42	40022	1	Ring Set (Std.)
42	40023	1	Ring Set (.010" OS)
43	20381	2	Piston Pin Retaining Ring
45	37840	1	Connecting Rod Ass'y. (Incl. 46)
46	32610A	2	Connecting Rod Bolt
48	27241	2	Valve Lifter
50	37575	1	Camshaft (NCR)(Inc. Ref 104)
52	29914	1	Oil Pump Ass'y.
69	37797	1	* Mounting Flange Gasket
70	37608	1	Mounting Flange (Incl. 72 thru 83,306 , 309A, 311A)
72	37614	1	Oil Drain Plug
75	27897	1	Oil Seal
80	30574A	1	Governor Shaft
81	30590A	1	Washer
82	30591	1	Governor Gear Ass'y. (Incl. 81)
83	30588A	1	Governor Spool
86	650488	6	Screw, 1/4-20 x 1-1/4"
89	610961	1	Flywheel Key
90	611213	1	Flywheel
92	650815	1	Belleville Washer
93	650816	1	Flywheel Nut
100	34443C	1	Solid State Ignition
101	610118	1	Spark Plug Cover
103	651007	2	Screw, T-10, 10-24 x 15/16"
104	37480	1	Cam Bushing
110	37574	1	Ground Wire
119	37755	1	* Cylinder Head Gasket
120	37807	1	Cylinder Head
125	37806	1	Exhaust Valve (Std.) (Incl. 151)
126	37805	1	Intake Valve (Std.)(Incl. 151 & 151A)
130	6021A	8	Screw, 5/16-18 x 1-1/2"
135	35395	1	Resistor Spark Plug (RJ19LM)
150	31672	2	Valve Spring
151	31673	2	Valve Spring Cap
151A	40016A	1	Intake Valve Seal
169	36783	1	* Valve Cover Gasket
172	36784	1	Valve Cover
174	30200	2	Screw, 10-24 x 9/16"
178	29752	2	Nut & Lock Washer, 1/4-28
179	30593	1	Retainer Clip

Ref #	Part Number	Qty	Description
182	6201	2	Screw, 1/4-28 x 7/8"
184	26756	1	* Carburetor To Intake Pipe Gasket
185	37794	1	Intake Pipe
186	32653	1	Governor Link
200	37359	1	Control Bracket Ass'y. (Incl. 206)
206	610973	1	Terminal
207	34336A	1	Throttle Link
209	30200	2	Screw, 10-24 x 9/16"
215	35511	1	Control Knob
216	33086	1	R.P.M. Adjusting Lever
223	650451	2	Screw, 1/4-20 x 1"
224	37793	1	* Intake Pipe Gasket
239	35815	1	* Air Cleaner Gasket
260	37811	1	Blower Housing
261	30200	2	Screw, 10-24 x 9/16"
262	650831	2	Screw, 1/4-20 x 1/2"
275	36986A	1	Muffler
277	650988	2	Screw, 1/4-20 x 2-5/16"
285	35000A	1	Starter Cup
287	650926	2	Screw, 8-32 x 21/64"
290	29774	1	Fuel Line
292	26460	2	Fuel Line Clamp
300	35586A	1	Fuel Tank (Incl. 292 & 301)
301	35355	1	Fuel Cap
305	35647A	1	Oil Fill Tube (Incl. 306)
306	37610	1	* "O"-Ring
307	35499	1	"O"-Ring
309	650562	1	Screw, 10-32 x 1/2"
309A	650783	1	Screw, 10-24 x 3/4"
310	37841	1	Dipstick
311A	37611	1	Hold Down Bracket
313	34080	1	Spacer
370A	36261	1	Lubrication Decal
370K	36695	1	Starter Decal
380	640228	1	Carburetor (Incl. 184)
390	590743	1	Rewind Starter
400	37809	1	* Gasket Set (Incl. items marked PK in notes)
900	750890	1	Replacement Engine, order from 71-999
900	0		Replacement Short Block None. order from 71-999



Ref #	Part Number	Qty	Description
239	35815	1	* Air Cleaner Gasket
275A	36838A	1	Spark Arrestor Muffler (Optional) (Incl. 284,284A,416 & 417)
284A	650821		Screw, 10-32 x 1/2" (Optional)
284	36663	1	Muffler Deflector (Incl. 284A)(Optional)
301	35355	1	Fuel Cap
350	570629B	1	Primer Ass'y.
351	32180C	1	Primer Line Ass'y.
383	570695	1	Carburetor Baffle
384	650229	2	Screw, T-25, 10-32 x 3/8"
416	36085	1	Spark Arrestor Kit (Incl. 417)(Optional)
417	650821	1	Screw, 10-32 x 1/2" (Optional)
900	750890	1	Replacement Engine, order from 71-999
900	0		Replacement Short Block None. order from 71-999